

Model

Horizon Series™ HPR111 Upright Pharmacy Refrigerator

Specifications

Application, Rating and Electrical Data

Application	Storage of medical and scientific products
Storage Volume	11.5 cu ft (326 L)
Temperature Range	2° to 10°C
Electrical Power	115V 60Hz 230V 50Hz 230V 60Hz
Maximum Current	7 FLA / 3.5 FLA / 3.5 FLA
Building Supply Rating	15 amp dedicated ground circuit
Power Plug / Power Cord Length	NEMA 5-15 hospital grade plug (115V) CEE 7/7 plug (230V 50Hz) NEMA 6-15 hospital grade plug (230V 60Hz) 8-10 ft (2439-3048 mm)
Certification / Agency Listing	QPS (Certified to UL and CSA Standards)
Indoor/Outdoor Use	Indoor use only
Application Environment	Non-corrosive, non-flammable, non-explosive, 15°C to 32°C (59°F to 90°F)

Refrigeration System

Refrigeration System	Forced-air circulation
Compressor / Number	.25 HP hermetic / 1
Condenser Type / Number	Air-cooled fin and tube / 1
Expansion Device	Cap tube
Evaporator Type	Air-cooled fin and tube
Defrost Method	Automatic
Refrigerant Charge	R134A Non-CFC

Performance Data

Uniformity	+/-1°C at 4°C Setpoint
------------	------------------------

Warranty

Rel.i™ (US/Canada)	5 years compressor, 2 years parts, 1 year labor
Outside US/Canada	Consult your local representative

Controller

Interface	LED digital display, °C or °F
Power Switch	On/Off - All Circuit breaker - 230V only
Controller Type	Microprocessor-based controller with alarm/ monitor
Security	Lockable door, optional keypad access
Control Sensor	RTD
High / Low Alarms	Fully adjustable
Door Ajar Alarm	Yes
Power Failure Alarm	Yes
Min/Max Display and Reset	Yes
Battery Back-up	9-volt non-rechargeable

Dimensions and Construction

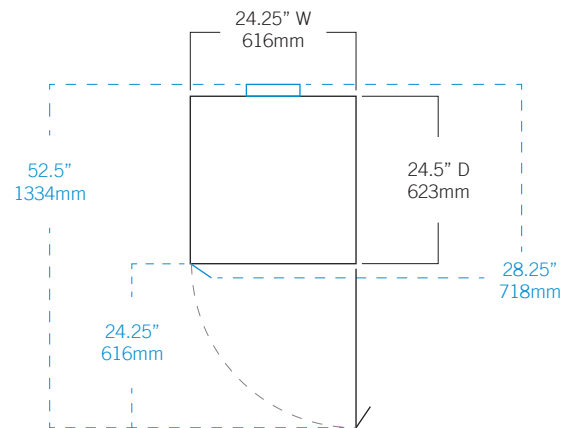
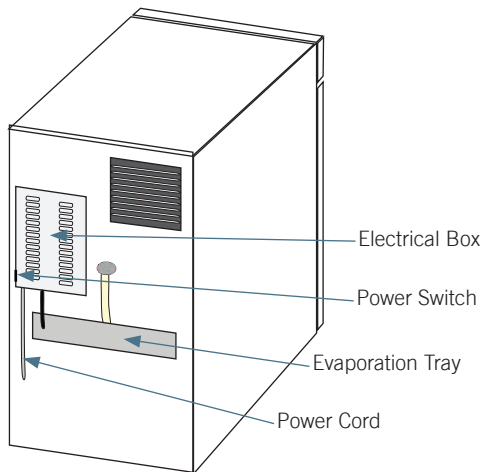
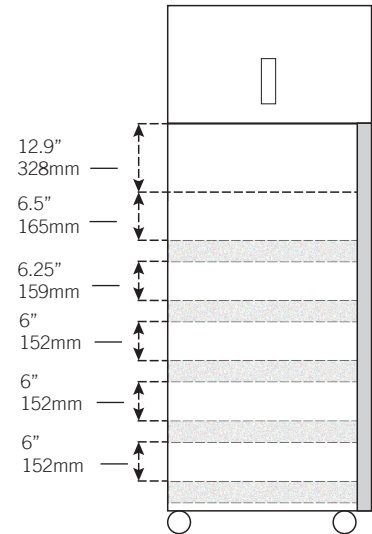
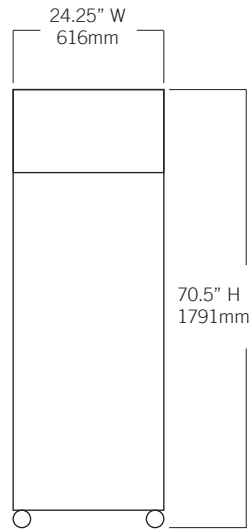
Interior (w x h x d)	20 x 49.5 x 20 in 508 x 1258 x 508 mm
Exterior (w x h x d)	24.25 x 70.5 x 24.5 in 616 x 1791 x 623 mm
Overall Exterior (w x h x d) (Includes door handle, electrical panel, and evaporation tray)	24.25 x 70.5 x 28.25 in 616 x 1791 x 718 mm
Insulation	Minimum of 2" (51mm) non-CFC foamed urethane insulation
Exterior / Interior Finish	Bacteria-resistant powder coating
Doors	1, Dual-pane glass
Access Ports	Sidewall with interior and exterior plugs Top for external monitoring probe(s)
Interior Storage / Capacity	1 epoxy coated shelf 18 x 18 in (458 x 458 mm) 5 epoxy coated baskets 16 x 16.75 in (407 x 426 mm) 100 lb (46 kg) max capacity / shelf or basket
Lighting	Adjustable LED on/off switch
Casters	Standard / swivel locking
Integrated Access Control	Optional - Electromagnetic lock via digital keypad
Net Weight	350 lb (159 kg)
Shipping Weight	432 lb (196 kg)
Clearance Requirements	Minimum of 8" (203mm) above and 3" (76mm) behind unit.
Options / Accessories	Chart Recorder, Floor & Wall Bracket Kit, Remote Alarms, Leveling Feet, Stainless Steel Interior, Remote Lock Adapter Kit, Extended Warranty



Technical Data Sheet

Pharmacy Refrigerator

Horizon Series™ HPR111



Helmer Scientific | 14400 Bergen Boulevard | Noblesville, IN 46060 | USA
+1.317.773.9073 | www.helmerinc.com



© 2015, © 2018 Helmer Inc. All rights reserved. 380335-1/F 1/18
All trademarks are the property of Helmer Scientific. Specifications subject to change.