



Helmer Scientific, Noblesville, Indiana
www.helmerinc.com

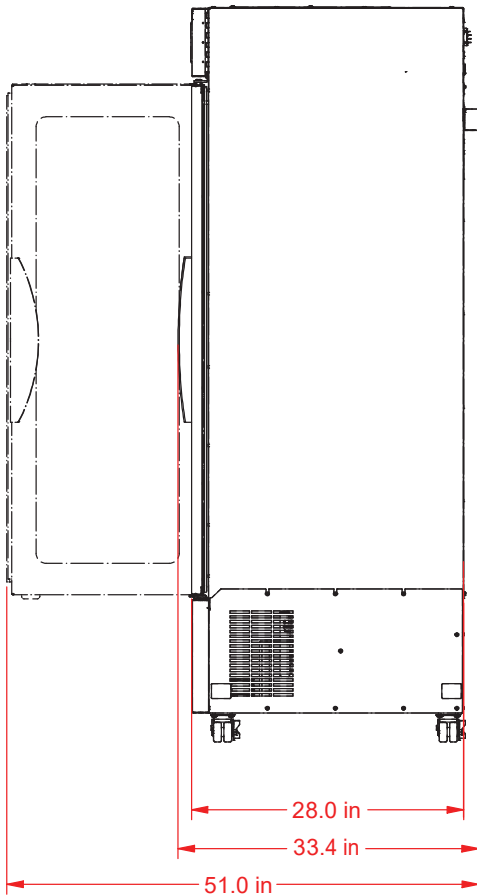
Technical Data Sheet High-Performance, Platelet Incubator Model: PC3200-Pro

Application, Rating, & Electrical Data	
Application	Provides the controlled temperature environment required for the storage of platelet products.
Agitator Capacity / Compatibility	3 PF96-Pro
Set Point Temperature Range	+20°C to +24°C
Set Point (default)	+22°C
Electrical Power	100-115V 50/60Hz 220-240V 50/60Hz
Maximum Current	3.1A 2.4A
Touch Current	≤ 0.5mA
Facility Supply Rating	Branch circuit with earth ground, meeting plug/cord ratings as well as local electrical safety codes and requirements 110-120V AC: 15 A (minimum) 220-240V AC: 10 A (minimum)
Power Plug/Power Cord Length	NEMA 5-15 hospital-grade 115V 60Hz, 8 to 10 ft (2.4-3.0m) Inquire about additional cord/plug options
Certification/Agency Listing	QPS (Certified to UL and CSA Standards) CB Test Certificate IEC/UL61010-2-011: 2016 IEC 61010-1:2010, AMD1:2016 (220-240V)
Indoor/Outdoor Use	Indoor use only, non-residential
Application Environment	Non-corrosive, non-flammable, non-explosive
Ambient Operating Temperature	+15°C to +35°C +59°F to +95°F
Refrigeration System	
Refrigeration System	VCC compressor-based, forced-air hydrocarbon
Compressor	Hermetic, variable capacity (VCC). Rated speed range: 1300-4000 rpm
Condenser Type	Air-cooled fin and tube, sealed
Expansion Device	Cap tube
Evaporator Type	Direct expansion with forced-air fin and tube
Refrigerant	R600a, Isobutane, EU F-Gas and EPA SNAP compliant
Controller Configuration Settings	
User Interface	i.Center® Plus color touchscreen, 5 in 127mm screen, full color, °C or °F
Power Switch	On/Off
Controller Type	Microprocessor with touchscreen input and display
Security	Password protected settings
Controller Sensor	NTC, stainless steel
Communication Ports	USB, Remote alarm contacts, RJ45 (Ethernet), API available for Ethernet connectivity development.
Power Failure Alarm	Yes
High / Low Alarms - Tests	Yes, fully adjustable, automatic (Peltier) testing
Door Ajar Alarm	Yes, fully adjustable
Download	Yes, download via USB or Ethernet (API); XLS, TXT and PDF reports
On-demand Reports	Yes, Event log, Temperature log and other summary reports
Interactive Temperature Graph	Yes
AgITrak™ System	Yes, Provides individual agitator control, monitoring, and reporting for each installed Pro Line agitator
Agitation Control	Yes, Auto start/stop with door opening, agitation on/off, adjustable speed
Chart Recorder	Yes, integrated, 4" (102mm) diameter, inkless pressure-sensitive charts, backup battery
Temperature Monitoring	Yes, Peltier primary monitoring probe. Pre-calibrated replacement available
Battery Back-up	Yes, minimum of 24 hrs display and alarm back-up for i.Center® Plus touchscreen monitoring rechargeable 12V, sealed lead acid

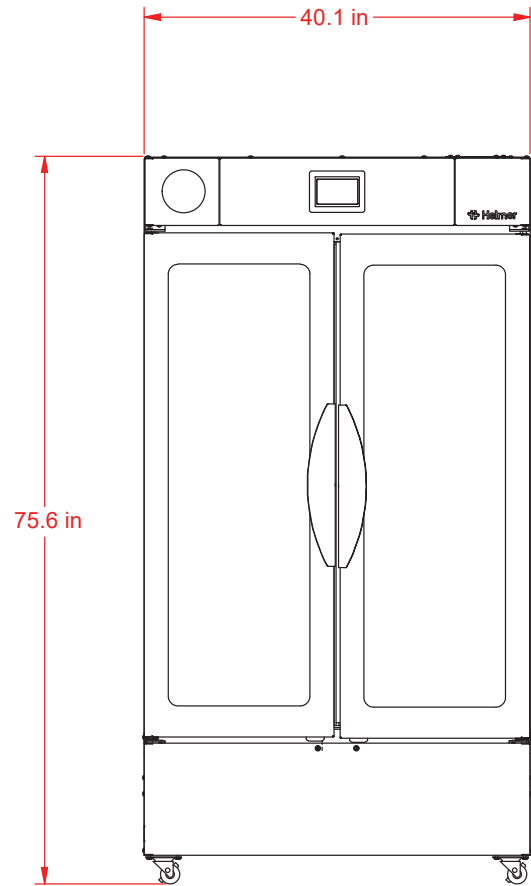
Performance Characteristics	
Uniformity °C	±1°C
Energy Consumption kWh/day	3.4
Heat Rejection / Emission BTU/hr	474
Noise emission dBA	56

All performance data stated for Incubator with maximum number of compatible agitators running inside 72 cpm, at +22°C Set point in +25°C ambient conditions.

Dimensions and Construction	
Interior (w x h x d)	37.8 x 50.6 x 18.9 in 961 x 1286 x 480 mm
Exterior (w x h x d)	40.1 x 75.6 x 28 in 1018 x 1920 x 710 mm
Overall Exterior (w x h x d)	40.1 x 75.6 x 33.4 in 1018 x 1920 x 847 mm
Insulation	Rigid foam board Non-CFC, non-HFC, non-HCFC, environmentally friendly U.S. EPA SNAP compliant
Exterior / Interior Finish	Bacteria-resistant powder coating
Door	2, hinged, dual-pane tempered glass, with key locks
Access Port	Yes, 0.75 in (19mm) diameter
Casters	Yes, swivel-locking
Net Weight	485 lb 220 kg
Shipping Weight	601 lb 272 kg
Clearance Requirements	Minimum 4 in 102 mm above unit Minimum 4 in 102 mm behind unit for clearance and feature access Additional clearance required +28°C ambient and above
Options Accessories	Secondary Monitor Probe, USB Flash Drive, Floor and Wall bracket kit, Additional Cord/Plugs, Remote Alarms, Chart Paper, Certificate of Calibration, Temperature Validation, Extended Warranty
Warranty	Rel.i™ Warranty - 5 years compressor, 2 years parts, 1 year labor Outside US and Canada- Contact your distributor for warranty information



SIDE VIEW



FRONT VIEW