



Helmer Scientific, Noblesville, Indiana  
 www.helmerinc.com

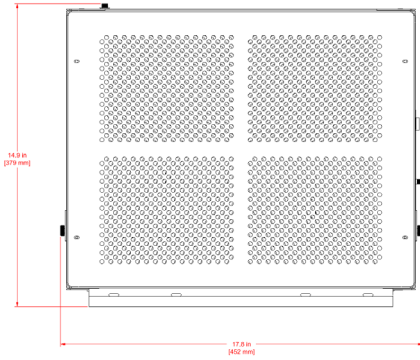
Technical Data Sheet  
 High-Performance, Platelet Agitator  
 Model: PF48-Pro

<b>Application, Rating, &amp; Electrical Data</b>	
Application	Provides continuous gentle agitation conditions required for the storage of platelet products
Storage Volume	48 WBD/Random Bags   16 SDP/Apheresis Bags
Incubator Compatibility	PC900-Pro
Electrical Power	100-240V 50/60Hz Standalone   24 VDC with compatible incubator
Maximum Power Draw	16 W
Facility Supply Rating	15 A (minimum) branch circuit with earth ground (USA)
Power Plug/Power Cord Length	For standalone operation: DC power supply with 6 ft (1828 mm) with multiple plug adapters
Certification / Agency Listing	QPS (Certified to UL and CSA Standards) CB Test Certificate
Indoor/Outdoor Use	Indoor use only, non-residential
Application Environment	Non-corrosive, non-flammable, non-explosive
Ambient Operating Temperature	+5°C to +35°C, 80% RH
<b>Agitator System</b>	
Agitation Switch	On/Off
Agitation Speed	Yes, 72 cycles/min (CPM), user-adjustable
Motor	BLDC agitation motor with gentle glide operation
<b>Controller Configuration Settings</b>	
Communication Ports	Remote alarm contacts, RS485 to Pro Line Incubator
Alarm Switch	On/Off
Alarm Indication	Audible (adjustable) and visual
Battery Backup	Yes, 2 hours of audible/visual alarm upon loss of motion/facility power. Rechargeable 9V NIMH battery.

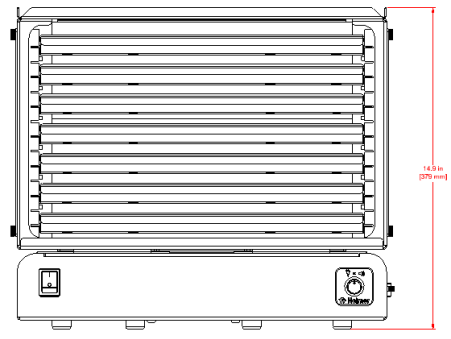
<b>Performance Characteristics</b>	
Energy Consumption   kWh/day	0.27
Heat Rejection / Emission   BTU/hr	40
Noise emission   dBA	49.6

All performance data stated for agitator running at 72 cpm.

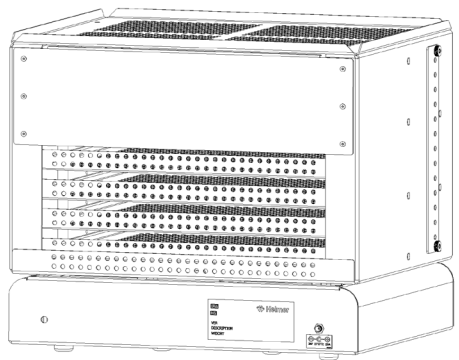
Dimensions and Construction	
Exterior (w x h x d)	17.2 x 14.5 x 13.8 in   437 x 368 x 351 mm
Overall Exterior (w x h x d)	17.8 x 14.9 x 14.9 in   453 x 379 x 379 mm
Base Material	Bacteria-resistant powder coating
Interior Storage	1 shelf   7 ventilated drawers Bacteria-resistant, powder coated galvanized steel
Shelf (w x d)	16.9 x 13.4 in   429 x 340 mm   3.1 kg max capacity/shelf
Drawer (w x d)	15 x 13.9 in   381 x 353 mm   3.1 kg max capacity/drawer
Drawer Spacing	Adjustable, 0.7 inch increments
Net Weight	50 lb   23kg
Shipping Weight	59 lb   27 kg
Clearance Requirements	Minimum 0.5" (13mm) behind unit for clearance and feature access Minimum 0.75" (20mm) left and right for clearance
Options   Accessories	Stainless Steel Ventilated Drawers, Drawer label holder, Additional coupler cord/plugs Remote Alarms, Extended Warranties, Validation Guide (IQ/OQ)
Warranty	2 years parts, 1 year labor Outside US and Canada- Contact your distributor for warranty information



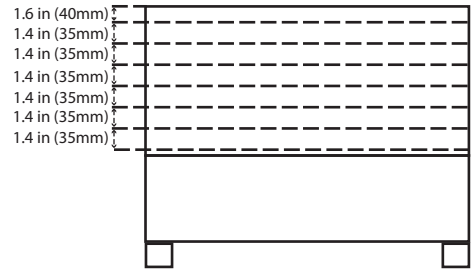
TOP VIEW



FRONT VIEW



BACK VIEW



INTERIOR VERTICAL SPACING