

Model

i.Series® PC4200i Floor Model Platelet Incubator

Specifications

Application, Rating and Electrical Data

Application	Provides the controlled temperature environment and continuous, gentle agitation required for the storage of platelet products
Storage Capacity	396 Random Bags/132 Apheresis Bags
Temperature Control Range	20° to 35°C
Electrical Power	115V 50/60Hz 230V 50/60Hz
Maximum Current	115V 14.5 FLA 230V 8.3 FLA
Building Supply Rating	20 amp dedicated ground circuit (115V) 15 amp dedicated ground circuit (230V)
Power Plug	NEMA 5-20 (115V) CEE7-7 (230V 50 Hz) NEMA 6-15 (230V 60Hz)
Agitation Speed (cycles/minute) Agitation speed is ±10% of nominal speed	60 (115V) 60 (230V 50 Hz) 72 (230V 60 Hz)
Certification / Agency Listing	QPS (Certified to UL and CSA Standards)
Indoor/Outdoor Use	Indoor use only
Application Environment	Non-corrosive, non-flammable, non-explosive, 15°C to 35°C (59°F to 95°F)

Refrigeration System

Refrigeration System	Forced-air circulation
Compressor	1.9 HP (115V) 2.3 HP (230V)
Refrigerant Charge	R134A Non-CFC

Performance Data

Uniformity	+/-1°C
------------	--------

Warranty

Rel.i™ (US/Canada)	5 years compressor, 2 years parts, 1 year labor
Outside US/Canada	Consult your local representative

Controller

Interface	i.Center® LCD viewscreen
Power Switch	On/Off - All Circuit breaker - 230V only
Controller Type	Digital microprocessor
Security	Password protected settings
High / Low Alarms	Fully adjustable
High / Low Alarm Test	Automatic (Peltier)
Door Ajar Alarm	Fully adjustable
Power Failure Alarm	Yes
Condenser Temperature Alarm	Fully adjustable
Event Log	Alarm conditions
AgiTrak System	Yes
Battery Back-up	Yes

Dimensions and Construction

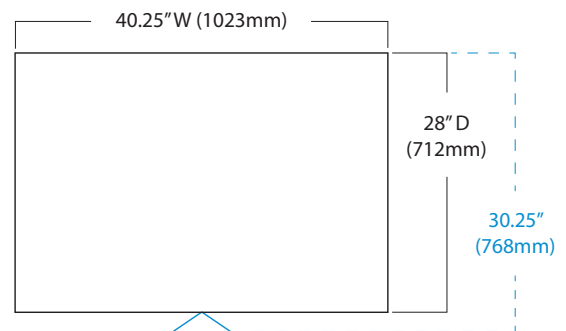
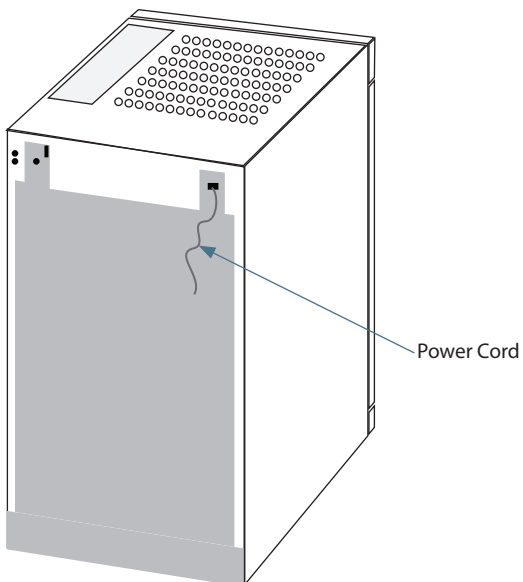
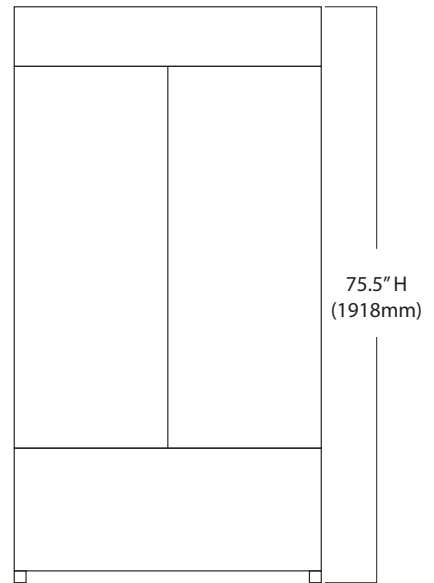
Interior (w x h x d)	36.5 x 50.75 x 18 in 928 x 1290 x 458 mm
Exterior (w x h x d)	40.25 x 75.5 x 28 in 1023 x 1918 x 712 mm
Overall Exterior (w x h x d) (Includes door handle)	40.25 x 75.5 x 30.25 in 1023 x 1918 x 768 mm
Insulation	1" (26mm)
Exterior / Interior Finish	Bacteria-resistant powder coating
Doors	Dual-pane tempered glass
Key Lock	Yes
Auto-Stop/Start	Yes
Chart Recorder	Yes
Casters	Standard / swivel locking
Net Weight	667 lb (302 kg)
Shipping Weight	785 lb (356 kg)
Clearance Requirements	Minimum 4" (102mm) across sides and back for ventilation and power cord
Options / Accessories	Remote Alarms, Extended Warranty



Technical Data Sheet

Platelet Incubator

i.Series® PC4200i



Helmer Scientific | 14400 Bergen Boulevard | Noblesville, IN 46060 | USA
+1.317.773.9073 | www.helmerinc.com

