

Model

i.Series® PC3200i Floor Model Platelet Incubator

Specifications

Application, Rating and Electrical Data

| | |
|--------------------------------|---|
| Application | Provides the controlled temperature environment required for the storage of platelet products |
| Agitator Capacity | 3 PF96i |
| Temperature Control Range | 20° to 35°C |
| Electrical Power | 115V 50/60Hz 230V 50/60Hz |
| Fuses | 10.0A (230V, quantity 2) |
| Maximum Current | 12 FLA / 7.0 FLA |
| Building Supply Rating | 15 amp dedicated ground circuit |
| Certification / Agency Listing | QPS (Certified to UL and CSA Standards) |
| Indoor/Outdoor Use | Indoor use only |
| Application Environment | Non-corrosive, non-flammable, non-explosive, 15°C to 35°C (59°F to 95°F) |

Refrigeration System

| | |
|----------------------|--------------------------------|
| Refrigeration System | Forced-air circulation |
| Compressor | 1.8 HP (115V) 2.2 HP (230V) |
| Refrigerant Charge | R134A Non-CFC |

Performance Data

| | |
|------------|--------|
| Uniformity | +/-1°C |
|------------|--------|

Warranty

| | |
|--------------------|---|
| Rel.i™ (US/Canada) | 5 years compressor, 2 years parts, 1 year labor |
| Outside US/Canada | Consult your local representative |

Controller

| | |
|-----------------------------|---|
| Interface | i.Center® LCD viewscreen |
| Power Switch | On/Off - All Circuit breaker - 230V only |
| Controller Type | Digital microprocessor |
| Security | Password protected settings |
| High / Low Alarms | Fully adjustable |
| High / Low Alarm Test | Automatic (Peltier) |
| Door Ajar Alarm | Fully adjustable |
| Power Failure Alarm | Yes |
| Condenser Temperature Alarm | Fully adjustable |
| Event Log | Alarm conditions |
| AgiTrak System | Yes |
| Battery Back-up | Yes |

Dimensions and Construction

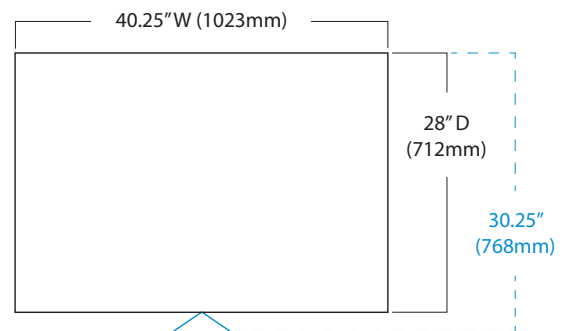
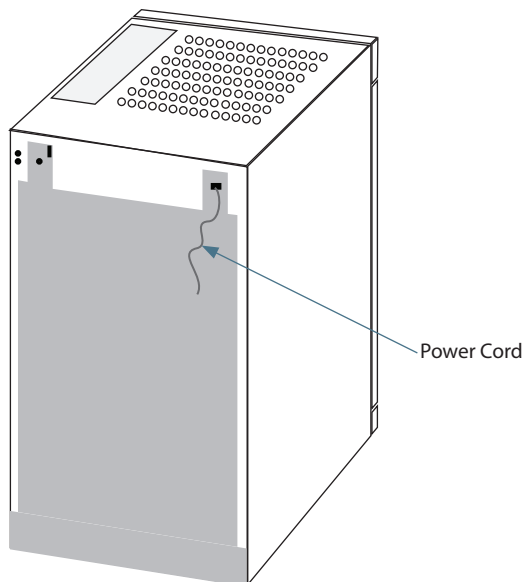
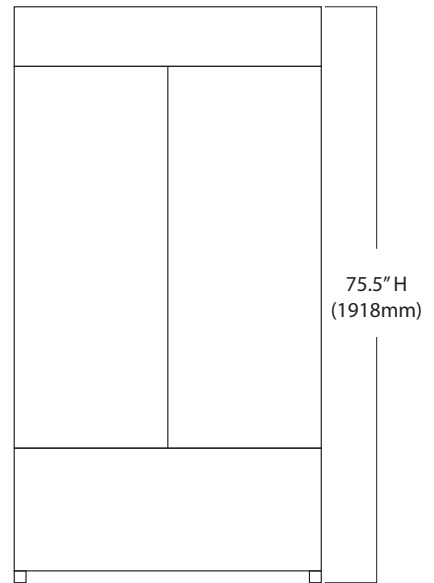
| | |
|--|--|
| Interior (w x h x d) | 36.5 x 50.75 x 18 in 928 x 1290 x 458 mm |
| Exterior (w x h x d) | 40.25 x 75.5 x 28 in 1023 x 1918 x 712 mm |
| Overall Exterior (w x h x d) (Includes door handle) | 40.25 x 75.5 x 30.25 in 1023 x 1918 x 768 mm |
| Insulation | 1" (26mm) |
| Exterior / Interior Finish | Bacteria-resistant powder coating |
| Doors | Dual-pane tempered glass |
| Key Lock | Yes |
| Auto-Stop/Start | Yes |
| Chart Recorder | Yes |
| Casters | Standard / swivel locking |
| Net Weight | 435 lb (197 kg) |
| Shipping Weight | 549 lb (249 kg) |
| Clearance Requirements | Minimum 4" (102mm) across sides and back for ventilation and power cord |
| Options / Accessories | Remote Alarms, Extended Warranty |



Technical Data Sheet

Platelet Incubator

i.Series® PC3200i



Helmer Scientific | 14400 Bergen Boulevard | Noblesville, IN 46060 | USA
+1.317.773.9073 | www.helmerinc.com



© 2018 Helmer Inc. All rights reserved. 380366-1/D 8/20
All trademarks are the property of Helmer Scientific. Specifications subject to change.