

SEISMIC-RATED and ANCHORING SOLUTIONS

For Refrigerators and Freezers

Helmer Scientific offers multiple solutions for anchoring products, ranging from floor and wall bracket kits to full seismic anchoring solutions. Choose the solution that is right for your application knowing that your refrigerators and freezers will be safely secured.



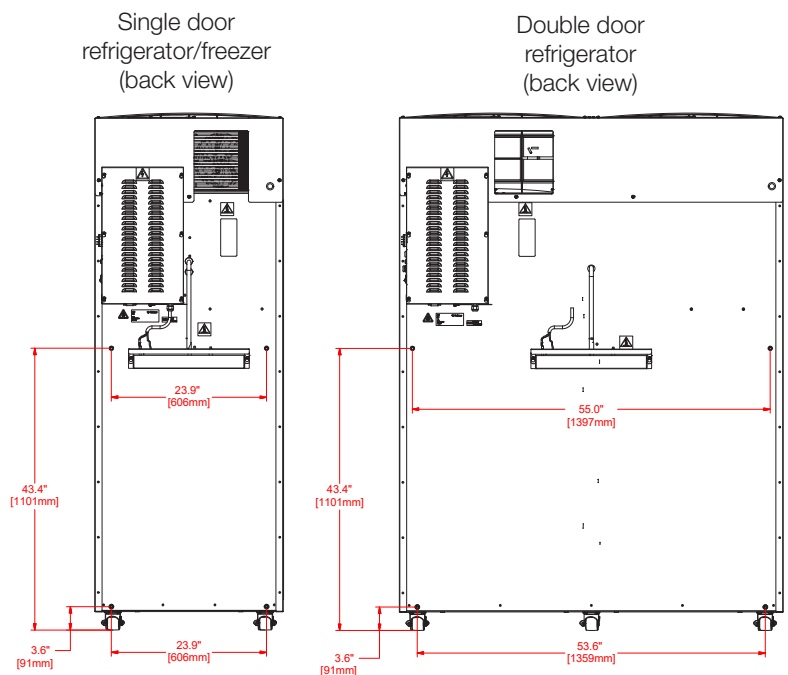
ANCHORING SOLUTIONS

Floor and Wall Bracket Kits

For all Helmer Scientific Refrigerators and Freezers (Undercounter and Upright)

The Floor and Wall Bracket Kit is designed to secure a refrigerator or freezer to the building floor and/or wall. Helmer refrigerators and freezers include factory threaded mounting holes to simplify installation. Heavy gauge, powder coated steel floor mounting brackets and cabinet anchor hardware are provided. Methods for floor/wall anchoring will vary by facility.

Bracket Kit is not seismic rated



SEISMIC-RATED SOLUTIONS

GX Solutions Single and Double-Door Cabinets

Seismic Anchor Kit 20-56 cu ft cabinets

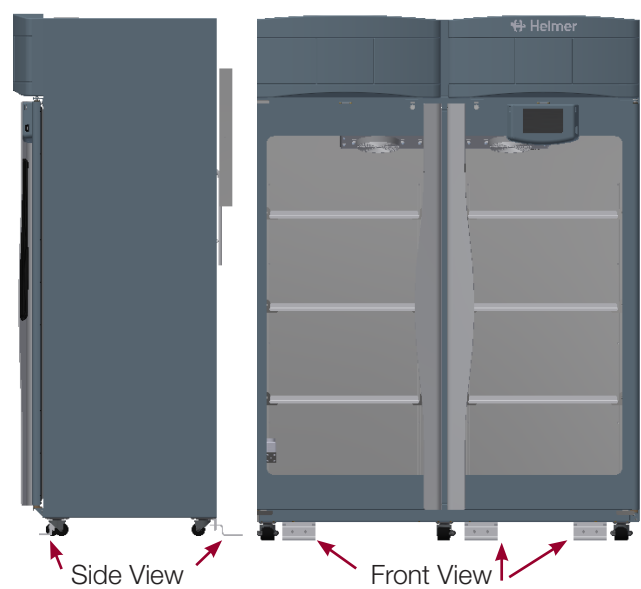
Brackets install on the floor in the back of the unit and under the door. Complimentary brackets attach to the refrigerator so that the unit can slide in and out of location without requiring side access. Bolts are installed on the front of the unit in pre-drilled holes that connect to the bracket. They are easily removed when needed to move or relocate unit.

Seismic Anchor Kit is covered under an ICC-ES Evaluation Report (ICC-ESR-4233).

Single Door Bracket Locations



Double Door Bracket Locations



GX Solutions 13 cu ft

Seismic Anchor Kit 13 cu ft cabinets

The side-mount floor installation kit secures a GX Solutions 13 cu ft refrigerator to the floor. The bracket and fasteners for the unit are included with the Seismic anchor kit. The bracket is installed in the pre-drilled holes on the unit. The bracket is then connected to the floor by the facility.

Seismic Anchor Kit is OPM approved* (Pre-approval via California Building Code)

13 cu ft Bracket Locations

