

Model

i.Series® iLF105 Undercounter Laboratory Freezer

Specifications

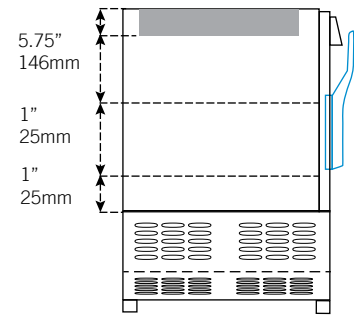
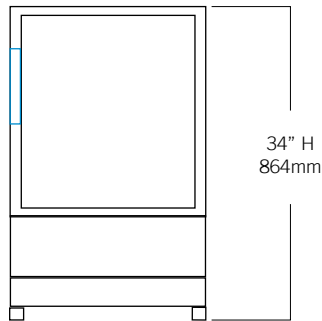
Application, Rating and Electrical Data		Controller	
Application	Storage of medical and scientific products	Interface	i.C ³ ® color touchscreen
Storage Volume	5 cu ft (142 L)	Power Switch	On/Off - All Circuit breaker - 230V only
Temperature Range	-15° to -30°C	Controller Type	Microprocessor with touchscreen input and display. Includes USB port for data retrieval.
Electrical Power	115V 60Hz 230V 50Hz 230V 60Hz	Security	Lockable door, password protected settings, optional PIN access
Maximum Current	5.75 FLA / 2.8 FLA / 3.1 FLA	Control Sensor	RTD
Building Supply Rating	15 amp dedicated ground circuit	Communication Ports	(2) USB Ports (1) RJ45 Hub (1) RS232 Port (optional)
Power Plug / Power Cord Length	NEMA 5-15 hospital grade plug (115V) CEE 7/7 plug (230V 50Hz) NEMA 6-15 hospital grade plug (230V 60Hz) 8-10 ft (2439-3048 mm)	High / Low Alarms	Fully adjustable
Certification / Agency Listing	QPS (Certified to UL and CSA Standards)	High / Low Alarm Test	Automatic (Peltier)
Indoor/Outdoor Use	Indoor use only	Door Ajar Alarm	Fully adjustable
Application Environment	Non-corrosive, non-flammable, non-explosive, 15°C to 32°C (59°F to 90°F)	Power Failure Alarm	Yes
Refrigeration System		Condenser Temperature Alarm	Fully adjustable
Refrigeration System	Forced-air circulation	Event Log	All alarms, door openings, download via USB
Compressor / Number	.33 HP hermetic / 1	Temperature Log	60 days, download via USB
Condenser Type / Number	Air-cooled fin and tube / 1	Access Log	60 days, download via USB
Expansion Device	TXV valve	Interactive Temperature Graph	Yes
Evaporator Type	Air-cooled fin and tube	Battery Back-up	20 hour display and alarm battery back-up for i.C ³ ® touchscreen (rechargeable 12V, lead acid battery)
Defrost Method	Automatic, programmable	Dimensions and Construction	
Refrigerant Charge	R404A Non-CFC	Interior (w x h x d)	19.5 x 19.75 x 22 in 496 x 502 x 559 mm
Performance Data		Exterior (w x h x d) (Includes leveling feet)	24 x 34 x 26.75 in 610 x 864 x 680 mm
Uniformity	+/-2°C at -30°C Setpoint	Overall Exterior (w x h x d) (Includes door handle and leveling feet)	24 x 34 x 28.5 in 610 x 864 x 724 mm
Warranty		Insulation	Sustainable, U.S. EPA and SNAP approved Ecomate®
Rel.i™ (US/Canada)	5 year compressor, 2 years parts, 1 year labor	Exterior / Interior Finish	Bacteria-resistant powder coating
Outside US/Canada	Consult your local representative	Doors	1, Solid
		Access Ports	Rear access port
		Perimeter Heater	Mullion Electric Heater
		Interior Storage / Capacity	2 epoxy coated shelves 18 x 18 in (458 x 458 mm) 100 lb (46 kg) max capacity / shelf
		Leveling Feet	Standard
		Casters	Optional / swivel locking
		Integrated Access Control	Optional - Electromagnetic lock via i.C ³ User Interface PIN
		Net Weight	215 lb (98 kg)
		Shipping Weight	275 lb (125 kg)
		Clearance Requirements	Minimum of 3" (76mm) behind unit for clearance and feature access.
		Options / Accessories	Chart Recorder, Stacking Kit, Floor & Wall Bracket Kit, Remote Alarms, Casters, Stainless Steel Interior and Exterior, Remote Lock Adapter Kit, Extended Warranty



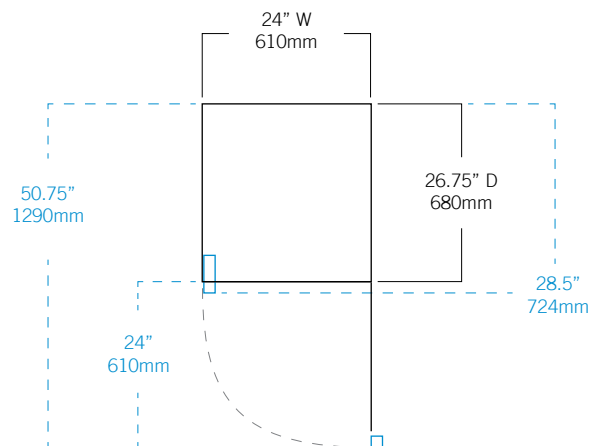
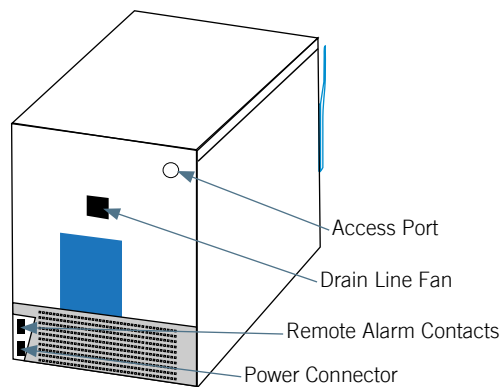
Technical Data Sheet

Laboratory Freezer

i.Series® iLF105



Note: Height with optional casters
35.5 in (915 mm)



Helmer Scientific | 14400 Bergen Boulevard | Noblesville, IN 46060 | USA
+1.317.773.9073 | www.helmerinc.com



© 2015 Helmer Inc. All rights reserved. 380343-1/C 6/16
All trademarks are the property of Helmer Scientific. Specifications subject to change.