

Model

i.Series® PC900i Countertop Platelet Incubator

Specifications
Application, Rating and Electrical Data

Application	Provides the controlled temperature environment required for the storage of platelet products
Agitator Capacity	1 PF48i
Temperature Control Range	20° to 35°C
Electrical Power	100V 50/60Hz 115V 50/60Hz 230V 50/60Hz
Maximum Current	8 FLA / 8 FLA / 4.5 FLA
Building Supply Rating	15 amp dedicated ground circuit
Certification / Agency Listing	QPS (Certified to UL and CSA Standards)
Indoor/Outdoor Use	Indoor use only
Application Environment	Non-corrosive, non-flammable, non-explosive, 15°C to 35°C (59°F to 95°F)

Refrigeration System

Refrigeration System	Forced-air circulation
Compressor	1.3 HP (100V) 1.3 HP (115V) .5 HP (230V)
Refrigerant Charge	R134A Non-CFC

Performance Data

Uniformity	+/-1°C
------------	--------

Warranty

Rel.i™ (US/Canada)	5 years compressor, 2 years parts, 1 year labor
Outside US/Canada	Consult your local representative

Controller

Interface	i.Center® LCD viewscreen
Power Switch	On/Off - All Circuit breaker - 230V only
Controller Type	Digital microprocessor
Security	Password protected settings
High / Low Alarms	Fully adjustable
High / Low Alarm Test	Automatic (Peltier)
Door Ajar Alarm	Fully adjustable
Power Failure Alarm	Yes
Condenser Temperature Alarm	Fully adjustable
Event Log	Alarm conditions
AgiTrak System	Yes
Battery Back-up	Yes

Dimensions and Construction

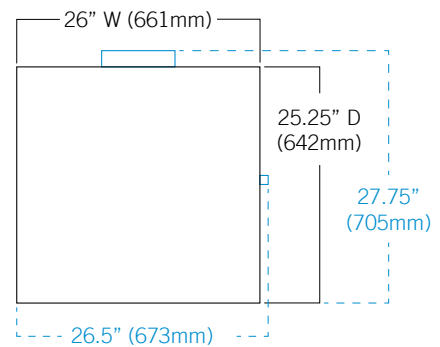
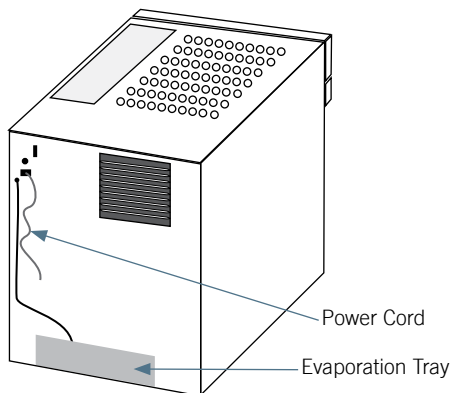
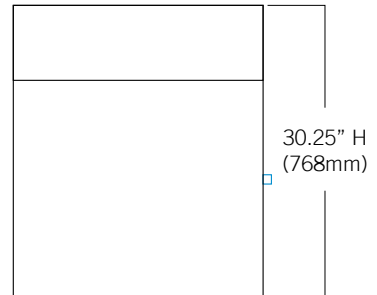
Interior (w x h x d)	22.25 x 15.75 x 17.75 in 566 x 401 x 451 mm
Exterior (w x h x d)	26 x 30.25 x 25.25 in 661 x 768 x 642 mm
Overall Exterior (w x h x d) (Includes door handle, evaporation tray, and lock)	26.5 x 30.25 x 27.75 in 673 x 768 x 705 mm
Insulation	1.5" (39mm)
Exterior / Interior Finish	Bacteria-resistant powder coating
Door	Single-pane tempered glass
Key Lock	Yes
Auto-Stop/Start	Yes
Chart Recorder	Yes
Net Weight	159 lb (72 kg)
Shipping Weight	211 lb (98 kg)
Clearance Requirements	Minimum 4" (102mm) above and behind the incubator for ventilation
Options / Accessories	Remote Alarms, Extended Warranty



Technical Data Sheet

Platelet Incubator

i.Series® PC900i



Helmer Scientific | 14400 Bergen Boulevard | Noblesville, IN 46060 | USA
+1.317.773.9073 | www.helmerinc.com



© 2016 Helmer Inc. All rights reserved. 380363-1/C 6/16
All trademarks are the property of Helmer Scientific. Specifications subject to change.