

Model

i.Series® PC4200i Floor Model Platelet Incubator

Specifications

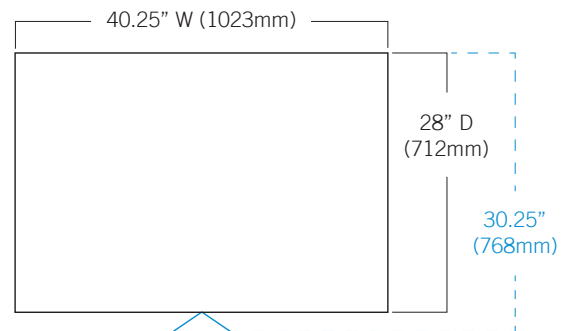
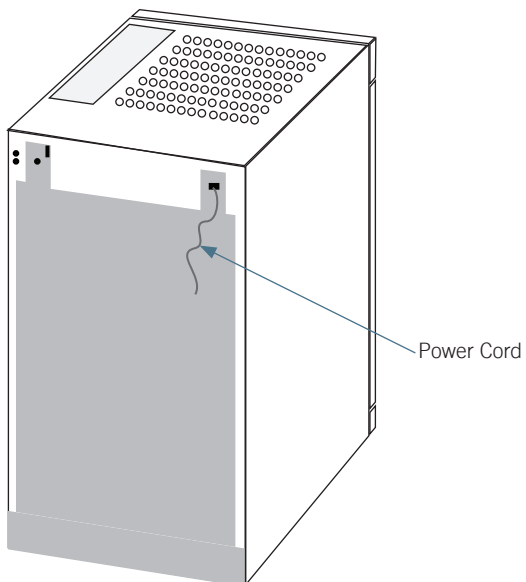
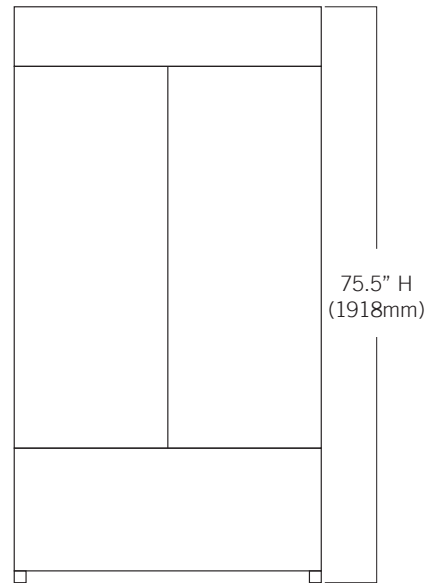
| Application, Rating and Electrical Data | | Controller | |
|--|--|--|--|
| Application | Provides the controlled temperature environment and continuous, gentle agitation required for the storage of platelet products | Interface | i.Center® LCD viewscreen |
| Storage Capacity | 396 Random Bags/132 Apheresis Bags | Power Switch | On/Off - All Circuit breaker - 230V only |
| Temperature Control Range | 20° to 35°C | Controller Type | Digital microprocessor |
| Electrical Power | 115V 50/60Hz 230V 50/60Hz | Security | Password protected settings |
| Maximum Current | 115V 14.5 FLA 230V 8.3 FLA | High / Low Alarms | Fully adjustable |
| Building Supply Rating | 20 amp dedicated ground circuit (115V) 15 amp dedicated ground circuit (230V) | High / Low Alarm Test | Automatic (Peltier) |
| Power Plug | NEMA 5-20 (115V) CEE7-7 (230V 50 Hz) NEMA 6-15 (230V 60Hz) | Door Ajar Alarm | Fully adjustable |
| Agitation Speed (cycles/minute) Agitation speed is ±10% of nominal speed | 60 (115V) 60 (230V 50 Hz) 72 (230V 60 Hz) | Power Failure Alarm | Yes |
| Certification / Agency Listing | QPS (Certified to UL and CSA Standards) | Condenser Temperature Alarm | Fully adjustable |
| Indoor/Outdoor Use | Indoor use only | Event Log | Alarm conditions |
| Application Environment | Non-corrosive, non-flammable, non-explosive, 15°C to 35°C (59°F to 95°F) | AgiTrak System | Yes |
| Refrigeration System | | Battery Back-up | Yes |
| Refrigeration System | Forced-air circulation | Dimensions and Construction | |
| Compressor | 1.9 HP (115V) 2.3 HP (230V) | Interior (w x h x d) | 36.5 x 50.75 x 18 in 928 x 1290 x 458 mm |
| Refrigerant Charge | R134A Non-CFC | Exterior (w x h x d) | 40.25 x 75.5 x 28 in 1023 x 1918 x 712 mm |
| Performance Data | | Overall Exterior (w x h x d) (Includes door handle) | 40.25 x 75.5 x 30.25 in 1023 x 1918 x 768 mm |
| Uniformity | +/-1°C | Insulation | 1" (26mm) |
| Warranty | | Exterior / Interior Finish | Bacteria-resistant powder coating |
| Rel.i™ (US/Canada) | 5 years compressor, 2 years parts, 1 year labor | Doors | Dual-pane tempered glass |
| Outside US/Canada | Consult your local representative | Key Lock | Yes |
| | | Auto-Stop/Start | Yes |
| | | Chart Recorder | Yes |
| | | Casters | Standard / swivel locking |
| | | Net Weight | 667 lb (302 kg) |
| | | Shipping Weight | 785 lb (356 kg) |
| | | Clearance Requirements | Minimum 4" (102mm) across sides and back for ventilation and power cord |
| | | Options / Accessories | Remote Alarms, Extended Warranty |



Technical Data Sheet

Platelet Incubator

i.Series® PC4200i



Helmer Scientific | 14400 Bergen Boulevard | Noblesville, IN 46060 | USA
+1.317.773.9073 | www.helmerinc.com



© 2018 Helmer Inc. All rights reserved. 380367-1/D 5/18
All trademarks are the property of Helmer Scientific. Specifications subject to change.