

Model

i.Series® PC2200i Floor Model Platelet Incubator

Specifications

Application, Rating and Electrical Data

Application	Provides the controlled temperature environment required for the storage of platelet products
Agitator Capacity	2 PF96i
Temperature Control Range	20° to 35°C
Electrical Power	115V 50/60Hz 230V 50/60Hz
Fuses	10.0A (230V, quantity 2)
Maximum Current	11.5 FLA / 7.0 FLA
Building Supply Rating	15 amp dedicated ground circuit
Certification / Agency Listing	QPS (Certified to UL and CSA Standards)
Indoor/Outdoor Use	Indoor use only
Application Environment	Non-corrosive, non-flammable, non-explosive, 15°C to 35°C (59°F to 95°F)

Refrigeration System

Refrigeration System	Forced-air circulation
Compressor	1.8 HP (115V) 2.1 HP (230V)
Refrigerant Charge	R134A Non-CFC

Performance Data

Uniformity	+/-1°C
------------	--------

Warranty

Rel.i™ (US/Canada)	5 years compressor, 2 years parts, 1 year labor
Outside US/Canada	Consult your local representative

Controller

Interface	i.Center® LCD viewscreen
Power Switch	On/Off - All Circuit breaker - 230V only
Controller Type	Digital microprocessor
Security	Password protected settings
High / Low Alarms	Fully adjustable
High / Low Alarm Test	Automatic (Peltier)
Door Ajar Alarm	Fully adjustable
Power Failure Alarm	Yes
Condenser Temperature Alarm	Fully adjustable
Event Log	Alarm conditions
AgiTrak System	Yes
Battery Back-up	Yes

Dimensions and Construction

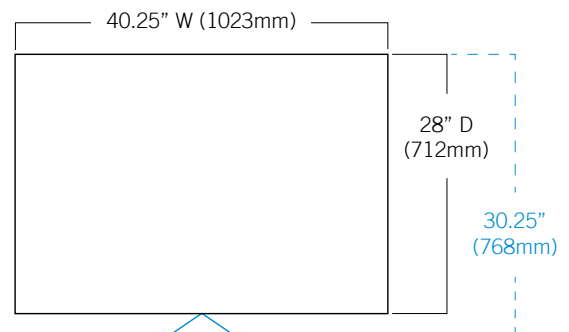
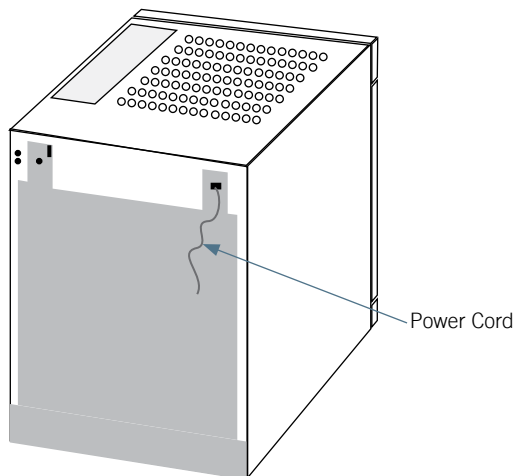
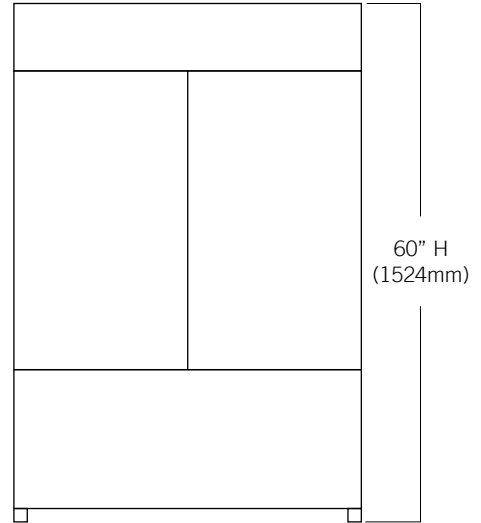
Interior (w x h x d)	36.5 x 35.25 x 18 in 928 x 896 x 458 mm
Exterior (w x h x d)	40.25 x 60 x 28 in 1023 x 1524 x 712 mm
Overall Exterior (w x h x d) (Includes door handle)	40.25 x 60 x 30.25 in 1023 x 1524 x 768 mm
Insulation	1" (26mm)
Exterior / Interior Finish	Bacteria-resistant powder coating
Doors	Dual-pane tempered glass
Key Lock	Yes
Auto-Stop/Start	Yes
Chart Recorder	Yes
Casters	Standard / swivel locking
Net Weight	363 lb (165 kg)
Shipping Weight	472 lb (214 kg)
Clearance Requirements	Minimum 4" (102mm) across sides and back for ventilation and power cord
Options / Accessories	Remote Alarms, Extended Warranty



Technical Data Sheet

Platelet Incubator

i.Series® PC2200i



Helmer Scientific | 14400 Bergen Boulevard | Noblesville, IN 46060 | USA
+1.317.773.9073 | www.helmerinc.com



© 2016 Helmer Inc. All rights reserved. 380365-1/C 6/16
All trademarks are the property of Helmer Scientific. Specifications subject to change.