

Model

i.Series® iPF125 Upright Plasma Freezer

Specifications

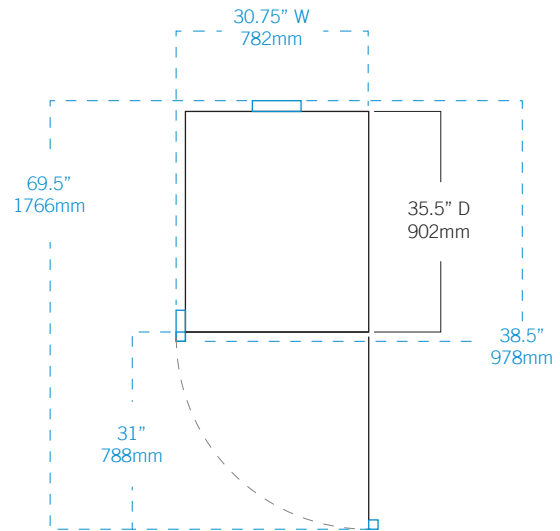
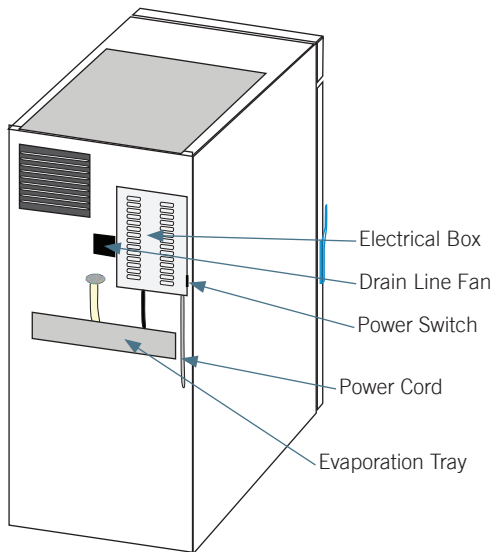
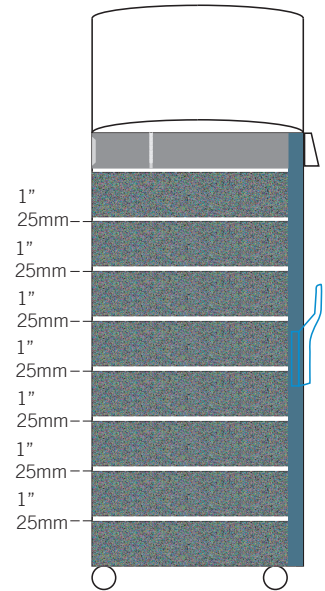
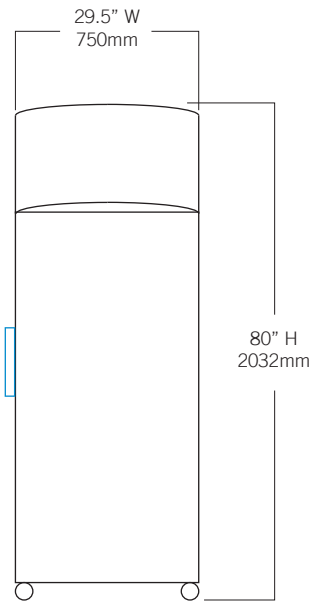
Application, Rating and Electrical Data		Controller	
Application	Storage of blood and other medical and scientific products	Interface	i.C ³ ® eye-level, color touchscreen
Storage Volume	25.2 cu ft (714 L)	Power Switch	On/Off with circuit breaker
Storage Capacity	464 (plasma boxes)	Controller Type	Microprocessor with touchscreen input and display. Includes USB port for data retrieval.
Temperature Range	-15° to -30°C	Security	Lockable door, password protected settings, optional PIN access
Electrical Power	115V 60Hz 208/230V 60Hz 230V 50Hz	Control Sensor	RTD
Maximum Current	8.5 FLA / 4.6 FLA / 4.1 FLA	Communication Ports	(2) USB Ports (1) RJ45 Hub (1) RS232 Port (optional)
Building Supply Rating	15 amp dedicated ground circuit	High / Low Alarms	Fully adjustable
Power Plug / Power Cord Length	NEMA 5-15 hospital grade plug (115V) NEMA 6-15 hospital grade plug (208/230V 60Hz) CEE 7/7 plug (230V 50Hz) 8-10 ft (2439-3048 mm)	High / Low Alarm Test	Automatic (Peltier)
Certification / Agency Listing	QPS (Certified to UL and CSA Standards)	Door Ajar Alarm	Fully adjustable
Indoor/Outdoor Use	Indoor use only	Power Failure Alarm	Yes
Application Environment	Non-corrosive, non-flammable, non-explosive, 15°C to 32°C (59°F to 90°F)	Condenser Temperature Alarm	Fully adjustable
Refrigeration System		Event Log	All alarms, door openings, download via USB
Refrigeration System	Forced-air circulation	Temperature Log	60 days, download via USB
Compressor / Number	1.25 HP hermetic / 1	Access Log	60 days, download via USB
Condenser Type / Number	Air-cooled fin and tube / 1	Interactive Temperature Graph	Yes
Expansion Device	TXV valve	Min/Max Display and Reset	Yes
Evaporator Type	Air-cooled fin and tube	Battery Back-up	20 hour display and alarm battery back-up for i.C ³ ® touchscreen (rechargeable 12V, lead acid battery)
Defrost Method	Automatic, programmable	Dimensions and Construction	
Refrigerant Charge	R404A Non-CFC	Interior (w x h x d)	24.75 x 58.25 x 30.25 in 629 x 1480 x 769 mm
Performance Data		Exterior (w x h x d)	29.5 x 80 x 35.5 in 750 x 2032 x 902 mm
Uniformity	+/-2°C at -30°C Setpoint	Overall Exterior (w x h x d) (Includes door handle, electrical panel, and evaporation tray)	30.75 x 80 x 38.5 in 782 x 2032 x 978 mm
Warranty		Insulation	Minimum of 2" (51mm) non-CFC foamed urethane insulation
Rel.i™ (US/Canada)	5 years compressor, 2 years parts, 1 year labor	Exterior / Interior Finish	Bacteria-resistant powder coating
Outside US/Canada	Consult your local representative	Doors	1, Solid
		Access Ports	Top for external monitoring probe(s)
		Perimeter Heater	Mullion Electric Heater
		Interior Storage / Capacity	8 stainless steel drawers 21.5 x 26.75 in (547 x 680 mm) 100 lb (46 kg) max capacity / drawer
		Casters	Standard / swivel locking
		Integrated Access Control	Optional - Electromagnetic lock via i.C ³ User Interface PIN
		Net Weight	557 lb (253 kg)
		Shipping Weight	647 lb (294 kg)
		Clearance Requirements	Minimum of 8" (203mm) above and 3" (76mm) behind unit.
		Options / Accessories	Floor & Wall Bracket Kit, Remote Alarms, Leveling Feet, Stainless Steel Interior, Remote Lock Adapter Kit, Extended Warranty



Technical Data Sheet

Plasma Freezer

i.Series® iPF125



Helmer Scientific | 14400 Bergen Boulevard | Noblesville, IN 46060 | USA
 +1.317.773.9073 | www.helmerinc.com



© 2016, © 2018 Helmer Inc. All rights reserved. 380353-1/E 1/18
 All trademarks are the property of Helmer Scientific. Specifications subject to change.