

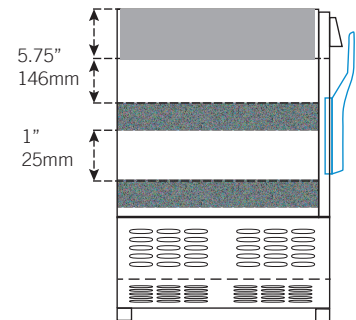
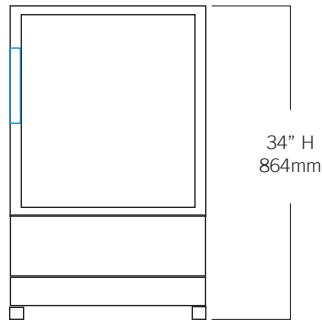
Model

i.Series® iPF105 Undercounter Plasma Freezer

Specifications

Application, Rating and Electrical Data		Controller	
Application	Storage of blood and other medical and scientific products	Interface	i.C ³ ® color touchscreen
Storage Volume	5 cu ft (142 L)	Power Switch	On/Off - All Circuit breaker - 230V only
Storage Capacity	44 (plasma boxes)	Controller Type	Microprocessor with touchscreen input and display. Includes USB port for data retrieval.
Temperature Range	-15° to -30°C	Security	Lockable door, password protected settings, optional PIN access
Electrical Power	115V 60Hz 230V 50Hz 230V 60Hz	Control Sensor	RTD
Maximum Current	5.75 FLA / 2.9 FLA / 3.1 FLA	Communication Ports	(2) USB Ports (1) RJ45 Hub (1) RS232 Port (optional)
Building Supply Rating	15 amp dedicated ground circuit	High / Low Alarms	Fully adjustable
Power Plug / Power Cord Length	NEMA 5-15 hospital grade plug (115V) CEE 7/7 plug (230V 50Hz) NEMA 6-15 hospital grade plug (230V 60Hz) 8-10 ft (2439-3048 mm)	High / Low Alarm Test	Automatic (Peltier)
Certification / Agency Listing	QPS (Certified to UL and CSA Standards)	Door Ajar Alarm	Fully adjustable
Indoor/Outdoor Use	Indoor use only	Power Failure Alarm	Yes
Application Environment	Non-corrosive, non-flammable, non-explosive, 15°C to 32°C (59°F to 90°F)	Condenser Temperature Alarm	Fully adjustable
Refrigeration System		Event Log	All alarms, door openings, download via USB
Refrigeration System	Forced-air circulation	Temperature Log	60 days, download via USB
Compressor / Number	.33 HP hermetic / 115V, 230V 60Hz 0.5 HP 230V 50Hz	Access Log	60 days, download via USB
Condenser Type / Number	Air-cooled fin and tube / 1	Interactive Temperature Graph	Yes
Expansion Device	TXV valve	Battery Back-up	20 hour display and alarm battery back-up for i.C ³ ® touchscreen (rechargeable 12V, lead acid battery)
Evaporator Type	Air-cooled fin and tube	Dimensions and Construction	
Defrost Method	Automatic, programmable	Interior (w x h x d)	19.5 x 19.75 x 22 in 496 x 502 x 559 mm
Refrigerant Charge	R404A Non-CFC	Exterior (w x h x d) (Includes leveling feet)	24 x 34 x 26.75 in 610 x 864 x 680 mm
Performance Data		Overall Exterior (w x h x d) (Includes door handle and leveling feet)	24 x 34 x 28.5 in 610 x 864 x 724 mm
Uniformity	+/-2°C at -30°C Setpoint	Insulation	Sustainable, U.S. EPA and SNAP approved Ecomate®
Warranty		Exterior / Interior Finish	Bacteria-resistant powder coating
Rel.i™ (US/Canada)	5 year compressor, 2 years parts, 1 year labor	Doors	1, Solid
Outside US/Canada	Consult your local representative	Access Ports	Rear access port
		Perimeter Heater	Mullion Electric Heater
		Interior Storage / Capacity	2 stainless steel drawers 16.75 x 17 in (426 x 432 mm) 100 lb (46 kg) max capacity / drawer
		Leveling Feet	Standard
		Casters	Optional / swivel locking
		Integrated Access Control	Optional - Electromagnetic lock via i.C ³ User Interface PIN
		Net Weight	221 lb (101 kg)
		Shipping Weight	281 lb (128 kg)
		Clearance Requirements	Minimum of 3" (76mm) behind unit for clearance and feature access.
		Options / Accessories	Stacking Kit, Floor & Wall Bracket Kit, Remote Alarms, Casters, Stainless Steel Interior and Exterior, Remote Lock Adapter Kit, Extended Warranty





Note: Height with optional casters
35.5 in (915 mm)

