

Model

i.Series® iPF104-ADA Undercounter Plasma Freezer

Specifications

Application, Rating and Electrical Data

| | |
|--------------------------------|---|
| Application | Storage of blood and other medical and scientific products |
| Storage Volume | 4 cu ft (113 L) |
| Storage Capacity | 44 (plasma boxes) |
| Temperature Range | -15° to -30°C |
| Electrical Power | 115V 60Hz |
| Maximum Current | 5.75 FLA |
| Building Supply Rating | 15 amp dedicated ground circuit |
| Power Plug / Power Cord Length | NEMA 5-15 hospital grade plug (115V) 8-10 ft (2439-3048 mm) |
| Certification / Agency Listing | QPS (Certified to UL and CSA Standards) |
| Indoor/Outdoor Use | Indoor use only |
| Application Environment | Non-corrosive, non-flammable, non-explosive, 15°C to 32°C (59°F to 90°F) |

Refrigeration System

| | |
|-------------------------|-----------------------------|
| Refrigeration System | Forced-air circulation |
| Compressor / Number | .33 HP hermetic / 1 |
| Condenser Type / Number | Air-cooled fin and tube / 1 |
| Expansion Device | TXV valve |
| Evaporator Type | Air-cooled fin and tube |
| Defrost Method | Automatic, programmable |
| Refrigerant Charge | R404A Non-CFC |

Performance Data

| | |
|------------|--------------------------|
| Uniformity | +/-2°C at -30°C Setpoint |
|------------|--------------------------|

Warranty

| | |
|--------------------|---|
| Rel.i™ (US/Canada) | 5 years compressor, 2 years parts, 1 year labor |
| Outside US/Canada | Consult your local representative |

Controller

| | |
|-------------------------------|---|
| Interface | i.C ³ ® color touchscreen |
| Power Switch | On/Off |
| Controller Type | Microprocessor with touchscreen input and display. Includes USB port for data retrieval. |
| Security | Lockable door, password protected settings, optional PIN access |
| Control Sensor | RTD |
| Communication Ports | (2) USB Ports (1) RJ45 Hub (1) RS232 Port (optional) |
| High / Low Alarms | Fully adjustable |
| High / Low Alarm Test | Automatic (Peltier) |
| Door Ajar Alarm | Fully adjustable |
| Power Failure Alarm | Yes |
| Condenser Temperature Alarm | Fully adjustable |
| Event Log | All alarms, door openings, download via USB |
| Temperature Log | 60 days, download via USB |
| Access Log | 60 days, download via USB |
| Interactive Temperature Graph | Yes |
| Battery Back-up | 20 hour display and alarm battery back-up for i.C ³ ® touchscreen (rechargeable 12V, lead acid battery) |

Dimensions and Construction

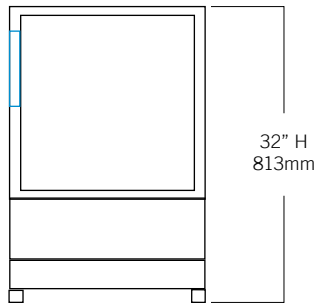
| | |
|--|---|
| Interior (w x h x d) | 19.5 x 17.75 x 22 in 496 x 451 x 559 mm |
| Exterior (w x h x d) (Includes leveling feet) | 24 x 32 x 26.75 in 610 x 813 x 680 mm |
| Overall Exterior (w x h x d) (Includes door handle and leveling feet) | 24 x 32 x 28.5 in 610 x 813 x 724 mm |
| ADA Compatible | Fits under 34" (864 mm) ADA compliant counters |
| Insulation | Sustainable, U.S. EPA and SNAP approved Ecomate® |
| Exterior / Interior Finish | Bacteria-resistant powder coating |
| Doors | 1, Solid |
| Access Ports | Rear access port |
| Perimeter Heater | Mullion Electric Heater |
| Interior Storage / Capacity | 2 stainless steel drawers 16.75 x 17 in (426 x 432 mm) 100 lb (46 kg) max capacity / drawer |
| Leveling Feet | Standard |
| Casters | Optional / swivel locking |
| Integrated Access Control | Optional - Electromagnetic lock via i.C ³ User Interface PIN |
| Net Weight | 217 lb (99 kg) |
| Shipping Weight | 277 lb (126 kg) |
| Clearance Requirements | Minimum of 3" (76mm) behind unit for clearance and feature access. |
| Options / Accessories | Stacking Kit, Floor & Wall Bracket Kit, Remote Alarms, Casters, Stainless Steel Interior and Exterior, Remote Lock Adapter Kit, Extended Warranty |



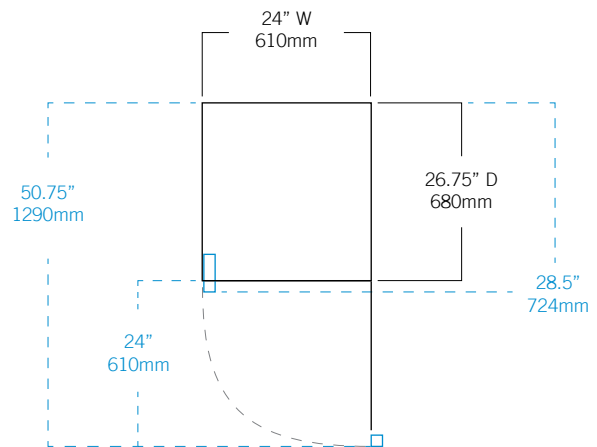
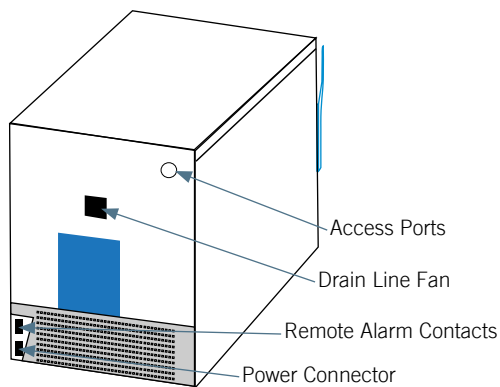
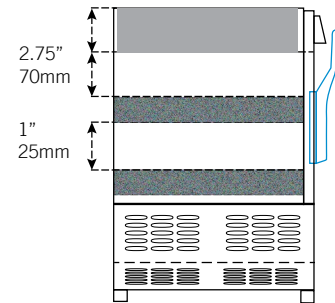
Technical Data Sheet

Plasma Freezer

i.Series® iPF104-ADA



Note: Height with optional casters
33.5 in (851 mm)



Helmer Scientific | 14400 Bergen Boulevard | Noblesville, IN 46060 | USA
+1.317.773.9073 | www.helmerinc.com



© 2016 Helmer Inc. All rights reserved. 380350-1/C 6/16
All trademarks are the property of Helmer Scientific. Specifications subject to change.