

Model

Horizon Series™ HPR456 Pass-Thru Refrigerator

Specifications

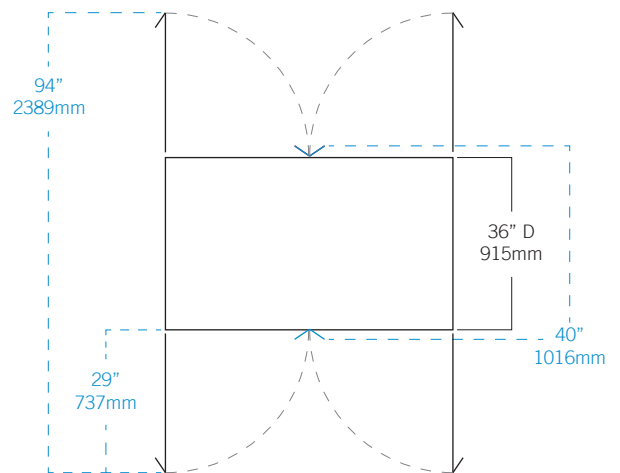
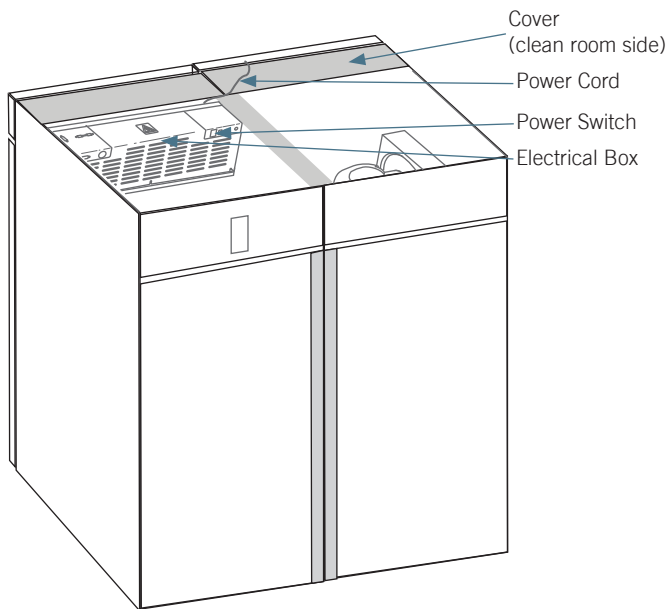
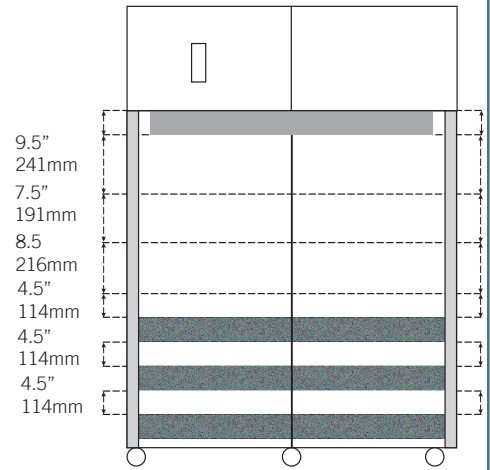
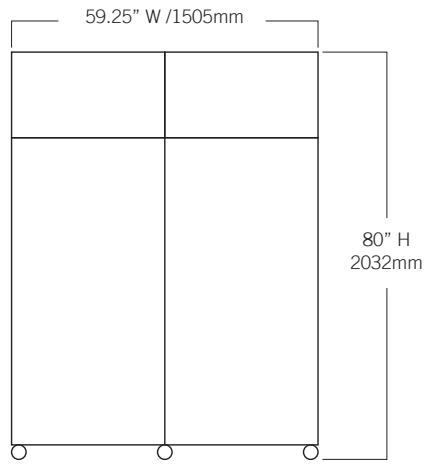
Application, Rating and Electrical Data		Controller	
Application	Storage of medical and scientific products	Interface	LED digital display, °C or °F
Storage Volume	58 cu ft (1642 L)	Power Switch	On/Off - All Circuit breaker - 230V only
Temperature Range	2° to 10°C	Controller Type	Microprocessor-based controller with alarm/ monitor
Electrical Power	115V 60Hz 230V 50Hz 230V 60Hz	Security	Lockable door
Maximum Current	13.25 FLA / 7.8 FLA / 8.2 FLA	Control Sensor	RTD
Building Supply Rating	15 amp dedicated ground circuit	High / Low Alarms	Fully adjustable
Power Plug / Power Cord Length	NEMA 5-15 hospital grade plug (115V) CEE 7/7 plug (230V 50Hz) NEMA 6-15 hospital grade plug (230V 60Hz) 8-10 ft (2439-3048 mm)	Door Ajar Alarm	Yes
Certification / Agency Listing	QPS (Certified to UL and CSA Standards)	Power Failure Alarm	Yes
Indoor/Outdoor Use	Indoor use only	Min/Max Display and Reset	Yes
Application Environment	Non-corrosive, non-flammable, non-explosive, 15°C to 32°C (59°F to 90°F)	Battery Back-up	9-volt non-rechargeable
Refrigeration System		Dimensions and Construction	
Refrigeration System	Forced-air circulation	Interior (w x h x d)	55 x 58.25 x 32 in 1397 x 1480 x 813 mm
Compressor / Number	.5 HP hermetic / 1	Exterior (w x h x d)	59.25 x 80 x 36 in 1505 x 2032 x 915 mm
Condenser Type / Number	Air-cooled fin and tube / 1	Overall Exterior (w x h x d) (Includes door handles)	59.25 x 80 x 40 in 1505 x 2032 x 1016 mm
Expansion Device	Cap tube	Insulation	Minimum of 2" (51mm) non-CFC foamed urethane insulation
Evaporator Type	Air-cooled fin and tube	Exterior / Interior Finish	Bacteria-resistant powder coating
Defrost Method	Automatic	Doors	4, Dual-pane glass
Refrigerant Charge	R134A Non-CFC	Access Ports	Top for external monitoring probe(s)
Performance Data		Interior Storage / Capacity	6 epoxy coated shelves 22 x 29 in (559 x 737 mm) 6 stainless steel drawers 22 x 27 in (559 x 686 mm) 100 lb (46 kg) max capacity / shelf or drawer
Uniformity	+/-1°C at 4°C Setpoint	Lighting	Adjustable LED on/off switch
Warranty		Casters	Standard / swivel locking
Rel.i™ (US/Canada)	5 years compressor, 2 years parts, 1 year labor	Net Weight	786 lbs (357 kg)
Outside US/Canada	Consult your local representative	Shipping Weight	922 lbs (419 kg)
		Clearance Requirements	Minimum of 8" (203mm) above the control side of the refrigerator. Clearance above the clean room side may be 0". Top enclosure cannot be placed more than 11" (280mm) from the front (clean room side) of the refrigerator.
		Options / Accessories	Chart Recorder, Skirt, Finish Trim Kit, Remote Alarms, Floor Bracket Kit, Stainless Steel Interior, Extended Warranty



Technical Data Sheet

Pharmacy Pass-Thru Refrigerator

Horizon Series™ HPR456



Helmer Scientific | 14400 Bergen Boulevard | Noblesville, IN 46060 | USA
 +1.317.773.9073 | www.helmerinc.com



© 2016, © 2018 Helmer Inc. All rights reserved. 380341-1/F 1/18
 All trademarks are the property of Helmer Scientific. Specifications subject to change.