

Model

Horizon Series™ HPR256 Upright Pharmacy Refrigerator

Specifications

Application, Rating and Electrical Data

Application	Storage of medical and scientific products
Storage Volume	56 cu ft (1586 L)
Temperature Range	2° to 10°C
Electrical Power	115V 60Hz 230V 50Hz 230V 60Hz
Maximum Current	11.5 FLA / 6.0 FLA / 6.0 FLA
Building Supply Rating	15 amp dedicated ground circuit
Power Plug / Power Cord Length	NEMA 5-15 hospital grade plug (115V) CEE 7/7 plug (230V 50Hz) NEMA 6-15 hospital grade plug (230V 60Hz) 8-10 ft (2439-3048 mm)
Certification / Agency Listing	QPS (Certified to UL and CSA Standards) ENERGY STAR® Certified
Indoor/Outdoor Use	Indoor use only
Application Environment	Non-corrosive, non-flammable, non-explosive, 15°C to 32°C (59°F to 90°F)

Refrigeration System

Refrigeration System	Forced-air circulation
Compressor / Number	.5 HP hermetic / 1
Condenser Type / Number	Air-cooled fin and tube / 1
Expansion Device	Cap tube
Evaporator Type	Air-cooled fin and tube
Defrost Method	Automatic
Refrigerant Charge	R134A Non-CFC

Performance Data

Uniformity	+/-1°C at 4°C Setpoint
------------	------------------------

Warranty

Rel.i™ (US/Canada)	5 years compressor, 2 years parts, 1 year labor
Outside US/Canada	Consult your local representative

Controller

Interface	LED digital display, °C or °F
Power Switch	On/Off - All Circuit breaker - 230V only
Controller Type	Microprocessor-based controller with alarm/ monitor
Security	Lockable door
Control Sensor	RTD
High / Low Alarms	Fully adjustable
Door Ajar Alarm	Yes
Power Failure Alarm	Yes
Min/Max Display and Reset	Yes
Battery Back-up	9-volt non-rechargeable

Dimensions and Construction

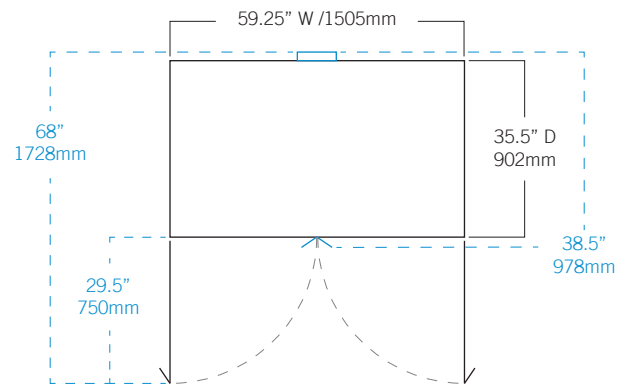
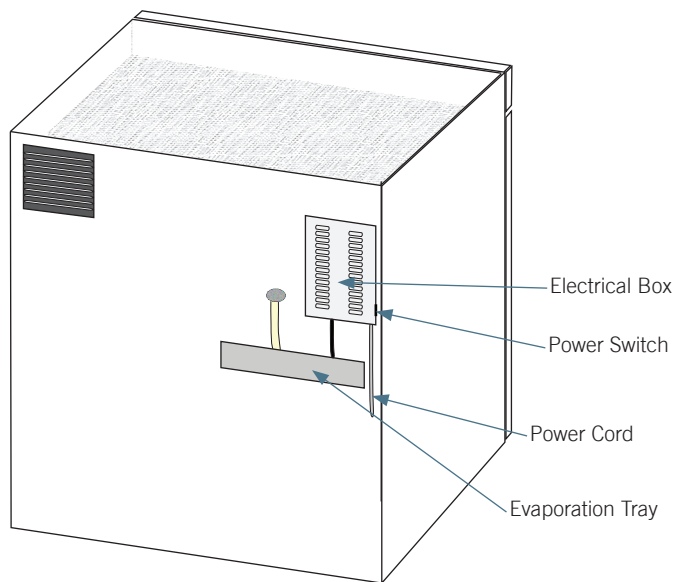
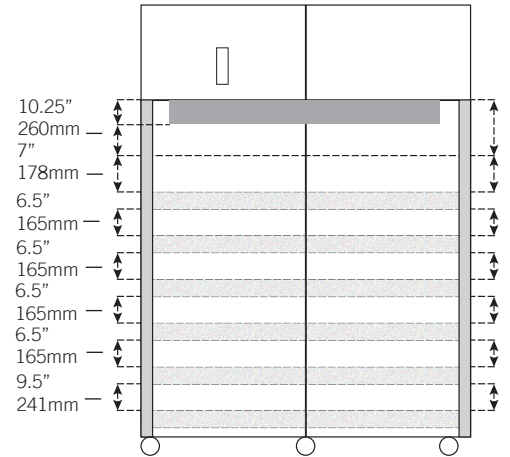
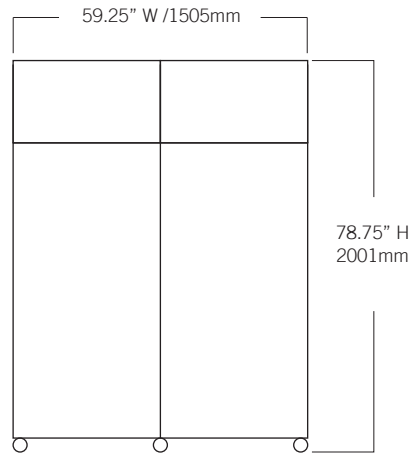
Interior (w x h x d)	55 x 58.25 x 30.25 in 1397 x 1480 x 769 mm
Exterior (w x h x d)	59.25 x 78.75 x 35.5 in 1505 x 2001 x 902 mm
Overall Exterior (w x h x d) (Includes door handles, electrical panel, and evaporation tray)	59.25 x 78.75 x 38.5 in 1505 x 2001 x 978 mm
Insulation	Minimum of 2" (51mm) non-CFC foamed urethane insulation
Exterior / Interior Finish	Bacteria-resistant powder coating
Doors	2, Dual-pane glass
Access Ports	Sidewall with interior and exterior plugs Top for external monitoring probe(s)
Interior Storage / Capacity	2 epoxy coated shelves 22 x 29 in (559 x 737 mm) 12 epoxy coated baskets 21 x 27.25 in (534 x 693 mm) 100 lb (46 kg) max capacity / shelf or basket
Lighting	Adjustable LED on/off switch
Casters	Standard / swivel locking
Net Weight	866 lb (393 kg)
Shipping Weight	996 lb (452 kg)
Clearance Requirements	Minimum of 8" (203mm) above and 3" (76mm) behind unit.
Options / Accessories	Chart Recorder, Floor & Wall Bracket Kit, Remote Alarms, Leveling Feet, Stainless Steel Interior, Extended Warranty



Technical Data Sheet

Pharmacy Refrigerator

Horizon Series™ HPR256



Helmer Scientific | 14400 Bergen Boulevard | Noblesville, IN 46060 | USA
 +1.317.773.9073 | www.helmerinc.com



© 2015, © 2018 Helmer Inc. All rights reserved. 380340-1/G 1/18
 All trademarks are the property of Helmer Scientific. Specifications subject to change.