

Model

Horizon Series™ HPR125 Upright Pharmacy Refrigerator

Specifications

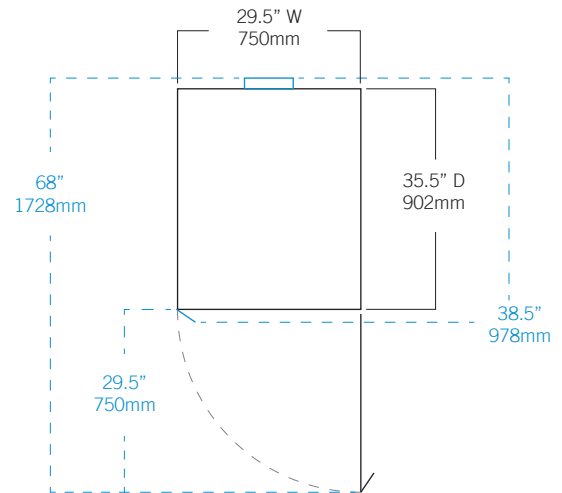
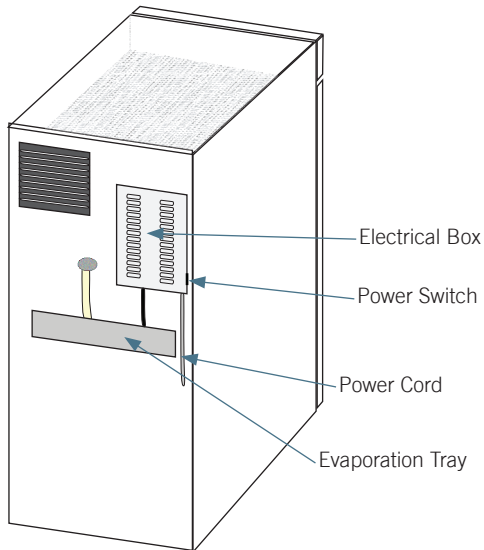
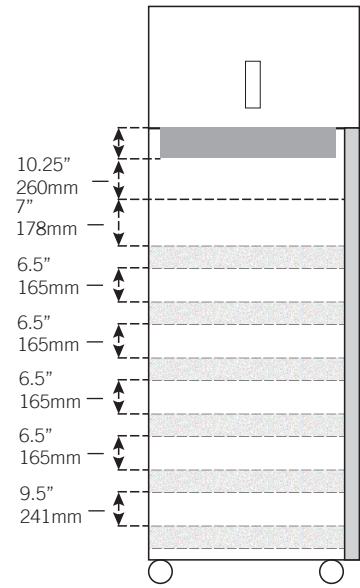
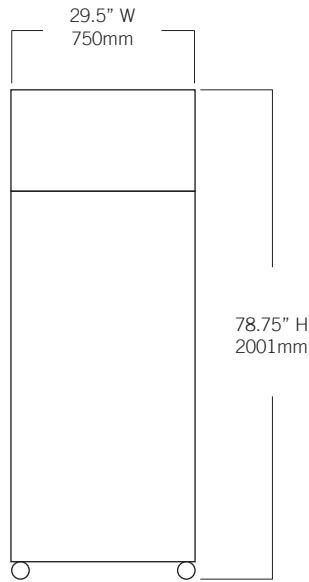
Application, Rating and Electrical Data		Controller	
Application	Storage of medical and scientific products	Interface	LED digital display, °C or °F
Storage Volume	25.2 cu ft (714 L)	Power Switch	On/Off - All Circuit breaker - 230V only
Temperature Range	2° to 10°C	Controller Type	Microprocessor-based controller with alarm/ monitor
Electrical Power	115V 60Hz 230V 50Hz 230V 60Hz	Security	Lockable door, optional keypad access
Maximum Current	7.5 FLA / 4.2 FLA / 4.2 FLA	Control Sensor	RTD
Building Supply Rating	15 amp dedicated ground circuit	High / Low Alarms	Fully adjustable
Power Plug / Power Cord Length	NEMA 5-15 hospital grade plug (115V) CEE 7/7 plug (230V 50Hz) NEMA 6-15 hospital grade plug (230V 60Hz) 8-10 ft (2439-3048 mm)	Door Ajar Alarm	Yes
Certification / Agency Listing	QPS (Certified to UL and CSA Standards) ENERGY STAR® Certified	Power Failure Alarm	Yes
Indoor/Outdoor Use	Indoor use only	Min/Max Display and Reset	Yes
Application Environment	Non-corrosive, non-flammable, non-explosive, 15°C to 32°C (59°F to 90°F)	Battery Back-up	9-volt non-rechargeable
Refrigeration System		Dimensions and Construction	
Refrigeration System	Forced-air circulation	Interior (w x h x d)	24.75 x 58.25 x 30.25 in 629 x 1480 x 769 mm
Compressor / Number	.33 HP hermetic / 1	Exterior (w x h x d)	29.5 x 78.75 x 35.5 in 750 x 2001 x 902 mm
Condenser Type / Number	Air-cooled fin and tube / 1	Overall Exterior (w x h x d) (Includes door handle, electrical panel, and evaporation tray)	29.5 x 78.75 x 38.5 in 750 x 2001 x 978 mm
Expansion Device	Cap tube	Insulation	Minimum of 2" (51mm) non-CFC foamed urethane insulation
Evaporator Type	Air-cooled fin and tube	Exterior / Interior Finish	Bacteria-resistant powder coating
Defrost Method	Automatic	Doors	1, Dual-pane glass
Refrigerant Charge	R134A Non-CFC	Access Ports	Sidewall with interior and exterior plugs Top for external monitoring probe(s)
Performance Data		Interior Storage / Capacity	1 epoxy coated shelf 22 x 29 in (559 x 737 mm) 6 epoxy coated baskets 21 x 27.25 in (534 x 693 mm) 100 lb (46 kg) max capacity / shelf or basket
Uniformity	+/-1°C at 4°C Setpoint	Lighting	Adjustable LED on/off switch
Warranty		Casters	Standard / swivel locking
Rel.i™ (US/Canada)	5 years compressor, 2 years parts, 1 year labor	Integrated Access Control	Optional - Electromagnetic lock via digital keypad
Outside US/Canada	Consult your local representative	Net Weight	549 lb (250 kg)
		Shipping Weight	642 lb (292 kg)
		Clearance Requirements	Minimum of 8" (203mm) above and 3" (76mm) behind unit.
		Options / Accessories	Chart Recorder, Floor & Wall Bracket Kit, Remote Alarms, Leveling Feet, Stainless Steel Interior, Remote Lock Adapter Kit, Extended Warranty



Technical Data Sheet

Pharmacy Refrigerator

Horizon Series™ HPR125



Helmer Scientific | 14400 Bergen Boulevard | Noblesville, IN 46060 | USA
 +1.317.773.9073 | www.helmerinc.com



© 2015, © 2018 Helmer Inc. All rights reserved. 380337-1/G 1/18
 All trademarks are the property of Helmer Scientific. Specifications subject to change.