

Model

Scientific Series™ SLR105 Undercounter Laboratory/Pharmacy Refrigerator

Specifications

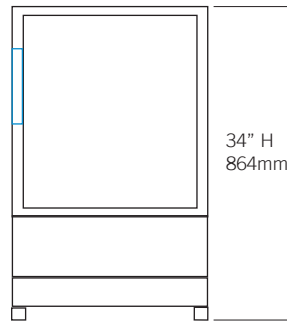
Application, Rating and Electrical Data		Controller	
Application	Storage of medical and scientific products	Interface	LED digital display
Storage Volume	5 cu ft (142 L)	Power Switch	On/Off - All Circuit breaker - 230V only
Temperature Range	2° to 10°C	Controller Type	Microprocessor-based controller
Electrical Power	115V 60Hz 230V 50Hz 230V 60Hz	Security	Lockable door
Maximum Current	5 FLA / 4 FLA / 3.25 FLA	Control Sensor	NTC
Building Supply Rating	15 amp dedicated ground circuit	Dimensions and Construction	
Power Plug / Power Cord Length	NEMA 5-15 hospital grade plug (115V) CEE 7/7 plug (230V 50Hz) NEMA 6-15 hospital grade plug (230V 60Hz) 8-10 ft (2439-3048 mm)	Interior (w x h x d)	19.5 x 19.75 x 22 in 496 x 502 x 559 mm
Certification / Agency Listing	QPS (Certified to UL and CSA Standards)	Exterior (w x h x d) (Includes leveling feet)	24 x 34 x 26.75 in 610 x 864 x 680 mm
Indoor/Outdoor Use	Indoor use only	Overall Exterior (w x h x d) (Includes door handle and leveling feet)	24 x 34 x 28 in 610 x 864 x 712 mm
Application Environment	Non-corrosive, non-flammable, non-explosive, 15°C to 32°C (59°F to 90°F)	Insulation	Sustainable, U.S. EPA and SNAP approved Ecomate®
Refrigeration System		Exterior / Interior Finish	Bacteria-resistant powder coating
Refrigeration System	Forced-air circulation	Doors	1, Solid
Compressor / Number	.17 HP (115V), .25 HP (230V) hermetic / 1	Access Ports	Rear access port
Condenser Type / Number	Air-cooled fin and tube / 1	Interior Storage / Capacity	2 perforated metal shelves 18 x 18 in (458 x 458 mm) 100 lbs (46 kg) max capacity / shelf
Expansion Device	Cap tube	Leveling Feet	Standard
Evaporator Type	Air-cooled fin and tube	Casters	Optional / swivel locking
Defrost Method	Automatic	Net Weight	165 lb (75 kg)
Refrigerant Charge	R134A Non-CFC	Shipping Weight	275 lb (125 kg)
Performance Data		Clearance Requirements	Minimum of 3" (76mm) behind unit for clearance and feature access.
Uniformity	+/-1.5°C at 4°C Setpoint	Options / Accessories	Chart Recorder, Stacking Kit, Floor & Wall Bracket Kit, Interior Light, Glass Door, Casters, Stainless Steel Interior and Exterior, Remote Lock Adapter Kit, Extended Warranty
Warranty			
Rel.i™ (US/Canada)	5 years compressor, 2 years parts, 1 year labor		
Outside US/Canada	Consult your local representative		



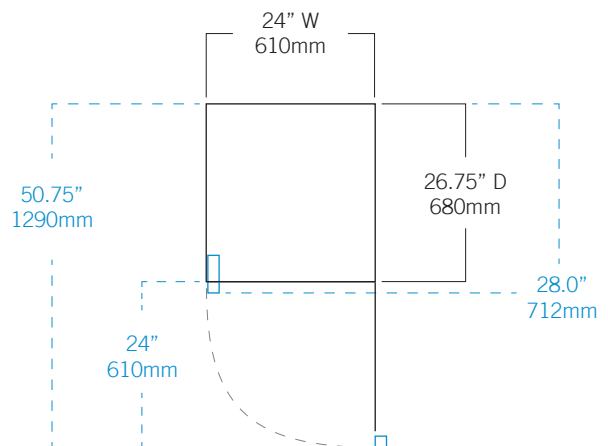
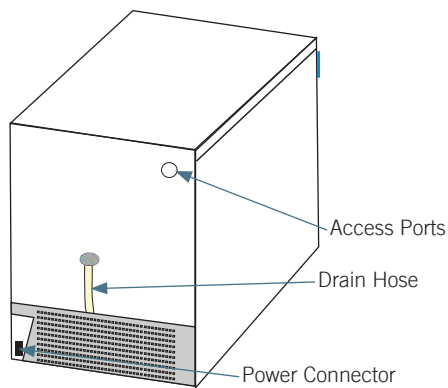
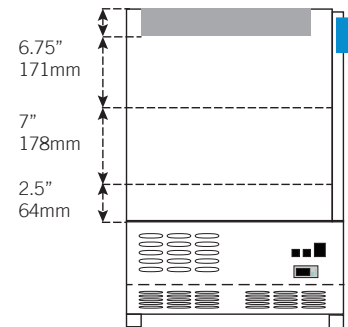
Technical Data Sheet

Laboratory / Pharmacy Refrigerator

Scientific Series™ SLR105



Note: Height with optional casters
35.5 in (915 mm)



Helmer Scientific | 14400 Bergen Boulevard | Noblesville, IN 46060 | USA
+1.317.773.9073 | www.helmerinc.com



© 2015 Helmer Inc. All rights reserved. 380327-1/D 7/17
All trademarks are the property of Helmer Scientific. Specifications subject to change.