

## Model

### i.Series® iLR256 Upright Laboratory Refrigerator

## Specifications

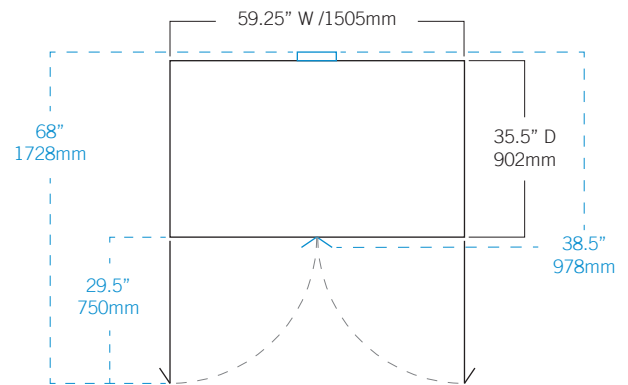
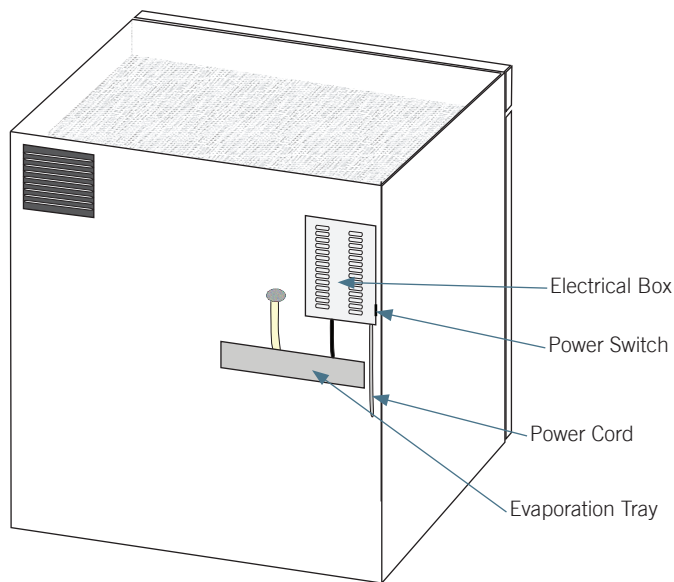
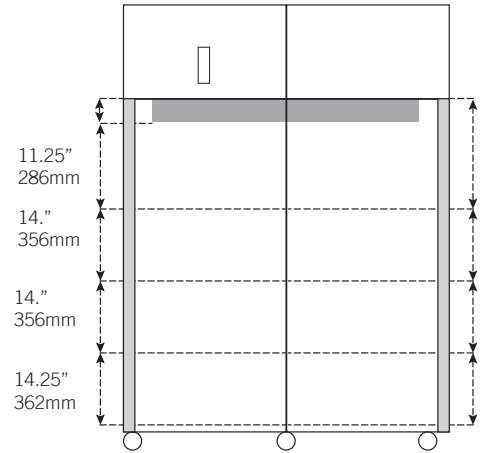
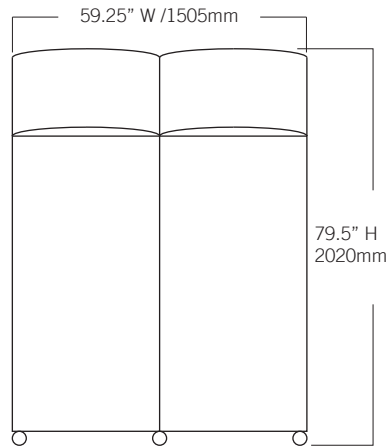
Application, Rating and Electrical Data		Controller	
Application	Storage of medical and scientific products	Interface	i.C <sup>3</sup> ® eye-level, color touchscreen
Storage Volume	56 cu ft (1586 L)	Power Switch	On/Off - All Circuit breaker - 230V only
Temperature Range	2° to 10°C	Controller Type	Microprocessor with touchscreen input and display. Includes USB port for data retrieval.
Electrical Power	115V 60Hz 230V 50Hz 230V 60Hz	Security	Lockable door, password protected settings
Maximum Current	11.5 FLA / 6.0 FLA / 6.0 FLA	Control Sensor	RTD
Building Supply Rating	15 amp dedicated ground circuit	Communication Ports	(2) USB Ports (1) RJ45 Hub (1) RS232 Port (optional)
Power Plug / Power Cord Length	NEMA 5-15 hospital grade plug (115V) CEE 7/7 plug (230V 50Hz) NEMA 6-15 hospital grade plug (230V 60Hz) 8-10 ft (2439-3048 mm)	High / Low Alarms	Fully adjustable
Certification / Agency Listing	QPS (Certified to UL and CSA Standards) ENERGY STAR® Certified	High / Low Alarm Test	Automatic (Peltier)
Indoor/Outdoor Use	Indoor use only	Door Ajar Alarm	Fully adjustable
Application Environment	Non-corrosive, non-flammable, non-explosive, 15°C to 32°C (59°F to 90°F)	Power Failure Alarm	Yes
<b>Refrigeration System</b>		Condenser Temperature Alarm	Fully adjustable
Refrigeration System	Forced-air circulation	Event Log	All alarms, door openings, download via USB
Compressor / Number	.5 HP hermetic / 1	Temperature Log	60 days, download via USB
Condenser Type / Number	Air-cooled fin and tube / 1	Interactive Temperature Graph	Yes
Expansion Device	Cap tube	Min/Max Display and Reset	Yes
Evaporator Type	Air-cooled fin and tube	Battery Back-up	20 hour display and alarm battery back-up for i.C <sup>3</sup> ® touchscreen (rechargeable 12V, lead acid battery)
Defrost Method	Automatic	<b>Dimensions and Construction</b>	
Refrigerant Charge	R134A Non-CFC	Interior (w x h x d)	55 x 58.25 x 30.25 in 1397 x 1480 x 769 mm
<b>Performance Data</b>		Exterior (w x h x d)	59.25 x 79.5 x 35.5 in 1505 x 2020 x 902 mm
Uniformity	+/-1°C at 4°C Setpoint	Overall Exterior (w x h x d) (Includes door handles, electrical panel, and evaporation tray)	59.25 x 79.5 x 38.5 in 1505 x 2020 x 978 mm
<b>Warranty</b>		Insulation	Minimum of 2" (51mm) non-CFC foamed urethane insulation
Rel.i™ Plus (US/Canada)	7 years compressor, 2 years parts, 1 year labor	Exterior / Interior Finish	Bacteria-resistant powder coating
Outside US/Canada	Consult your local representative	Doors	2, Dual-pane glass
		Access Ports	Sidewall with interior and exterior plugs Top for external monitoring probe(s)
		Interior Storage / Capacity	8 epoxy coated shelves 22 x 29 in (559 x 737 mm) 100 lbs (46 kg) max capacity / shelf
		Lighting	Adjustable LED Auto-on, on/off switch
		Casters	Standard / swivel locking
		Net Weight	738 lb (335 kg)
		Shipping Weight	858 lb (390 kg)
		Clearance Requirements	Minimum of 8" (203mm) above and 3" (76mm) behind unit.
		Options / Accessories	Chart Recorder, Floor & Wall Bracket Kit, Remote Alarms, Leveling Feet, Stainless Steel Interior, Extended Warranty



# Technical Data Sheet

## Laboratory Refrigerator

i.Series® iLR256



Helmer Scientific | 14400 Bergen Boulevard | Noblesville, IN 46060 | USA  
 +1.317.773.9073 | www.helmerinc.com



© 2016 Helmer Inc. All rights reserved. 380318-1/F 10/17  
 All trademarks are the property of Helmer Scientific. Specifications subject to change.