

Model
 i.Series® iLR111 Upright Laboratory Refrigerator

Specifications
Application, Rating and Electrical Data

Application	Storage of medical and scientific products
Storage Volume	11.5 cu ft (326 L)
Temperature Range	2° to 10°C
Electrical Power	115V 60Hz 230V 50Hz 230V 60Hz
Maximum Current	7 FLA / 3.5 FLA / 3.5 FLA
Building Supply Rating	15 amp dedicated ground circuit
Power Plug / Power Cord Length	NEMA 5-15 hospital grade plug (115V) CEE 7/7 plug (230V 50Hz) NEMA 6-15 hospital grade plug (230V 60Hz) 8-10 ft (2439-3048 mm)
Certification / Agency Listing	QPS (Certified to UL and CSA Standards)
Indoor/Outdoor Use	Indoor use only
Application Environment	Non-corrosive, non-flammable, non-explosive, 15°C to 32°C (59°F to 90°F)

Refrigeration System

Refrigeration System	Forced-air circulation
Compressor / Number	.25 HP hermetic / 1
Condenser Type / Number	Air-cooled fin and tube / 1
Expansion Device	Cap tube
Evaporator Type	Air-cooled fin and tube
Defrost Method	Automatic
Refrigerant Charge	R134A Non-CFC

Performance Data

Uniformity	+/-1°C at 4°C Setpoint
------------	------------------------

Warranty

Rel.i™ Plus (US/Canada)	7 years compressor, 2 years parts, 1 year labor
Outside US/Canada	Consult your local representative

Controller

Interface	i.C ³ ® eye-level, color touchscreen
Power Switch	On/Off - All Circuit breaker - 230V only
Controller Type	Microprocessor with touchscreen input and display. Includes USB port for data retrieval.
Security	Lockable door, password protected settings, optional PIN access
Control Sensor	RTD
Communication Ports	(2) USB Ports (1) RJ45 Hub (1) RS232 Port (optional)
High / Low Alarms	Fully adjustable
High / Low Alarm Test	Automatic (Peltier)
Door Ajar Alarm	Fully adjustable
Power Failure Alarm	Yes
Condenser Temperature Alarm	Fully adjustable
Event Log	All alarms, door openings, download via USB
Temperature Log	60 days, download via USB
Access Log	60 days, download via USB
Interactive Temperature Graph	Yes
Min/Max Display and Reset	Yes
Battery Back-up	20 hour display and alarm battery back-up for i.C ³ ® touchscreen (rechargeable 12V, lead acid battery)

Dimensions and Construction

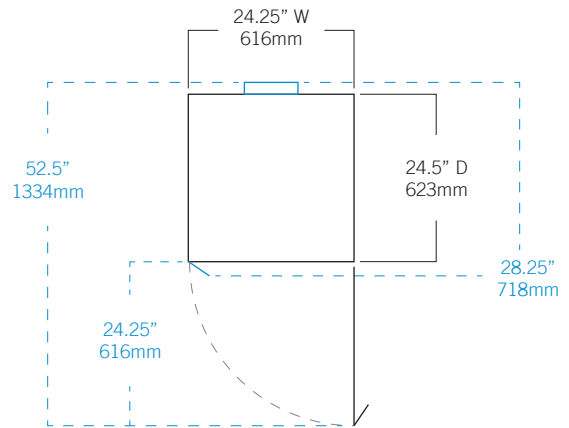
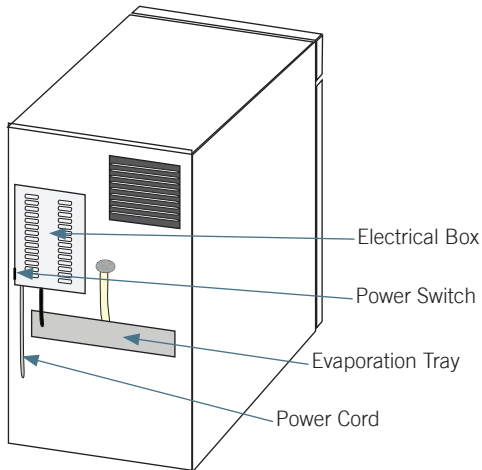
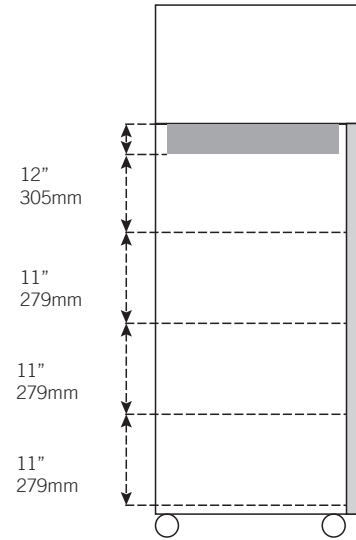
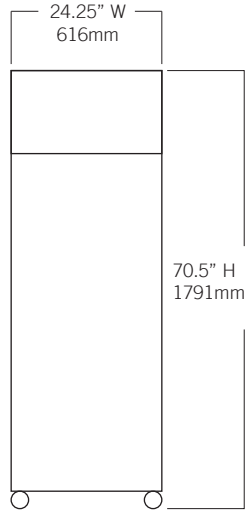
Interior (w x h x d)	20 x 49.5 x 20 in 508 x 1258 x 508 mm
Exterior (w x h x d)	24.25 x 70.5 x 24.5 in 616 x 1791 x 623 mm
Overall Exterior (w x h x d) (Includes door handle, electrical panel, and evaporation tray)	24.25 x 70.5 x 28.25 in 616 x 1791 x 718 mm
Insulation	Minimum of 2" (51mm) non-CFC foamed urethane insulation
Exterior / Interior Finish	Bacteria-resistant powder coating
Doors	1, Dual-pane glass
Access Ports	Sidewall with interior and exterior plugs Top for external monitoring probe(s)
Interior Storage / Capacity	4 epoxy coated shelves 18 x 18 in (458 x 458 mm) 100 lbs (46 kg) max capacity / shelf
Lighting	Adjustable LED Auto-on, on/off switch
Casters	Standard / swivel locking
Integrated Access Control	Optional - Electromagnetic lock via i.C ³ User Interface PIN
Net Weight	322 lb (147 kg)
Shipping Weight	397 lb (181 kg)
Clearance Requirements	Minimum of 8" (203mm) above and 3" (76mm) behind unit.
Options / Accessories	Chart Recorder, Floor & Wall Bracket Kit, Remote Alarms, Leveling Feet, Stainless Steel Interior, Remote Lock Adapter Kit, Extended Warranty



Technical Data Sheet

Laboratory Refrigerator

i.Series® iLR111



Helmer Scientific | 14400 Bergen Boulevard | Noblesville, IN 46060 | USA
 +1.317.773.9073 | www.helmerinc.com



© 2016 Helmer Inc. All rights reserved. 380314-1/E 10/17
 All trademarks are the property of Helmer Scientific. Specifications subject to change.