

## Model

Horizon Series™ HLF120 Upright Laboratory Freezer

## Specifications

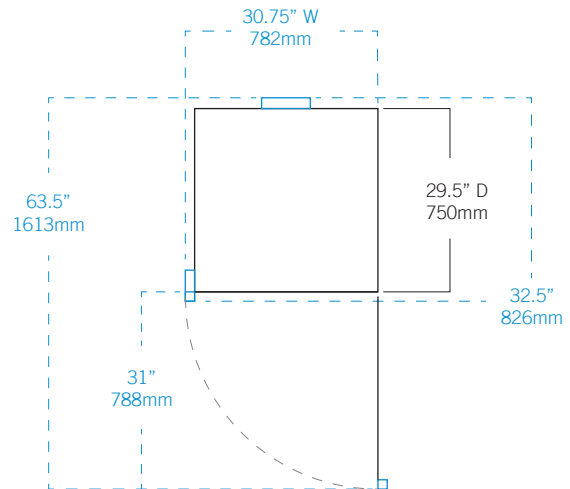
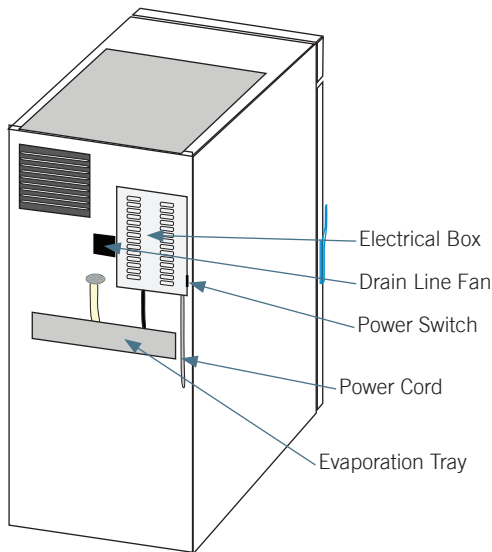
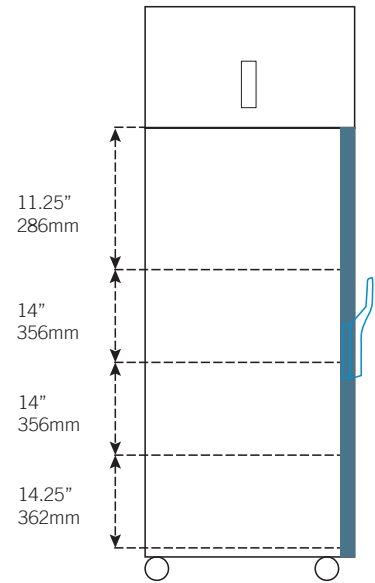
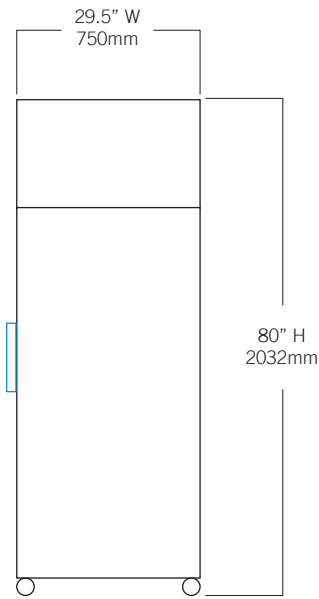
Application, Rating and Electrical Data		Controller	
Application	Storage of medical and scientific products	Interface	LED digital display, °C or °F
Storage Volume	20.2 cu ft (572 L)	Power Switch	On/Off with circuit breaker
Temperature Range	-15° to -30°C	Controller Type	Microprocessor-based controller with alarm/monitor
Electrical Power	115V 60Hz 208/230V 60Hz 230V 50Hz	Security	Lockable door, optional keypad access
Maximum Current	8.5 FLA / 4.6 FLA / 4.1 FLA	Control Sensor	RTD
Building Supply Rating	15 amp dedicated ground circuit	High / Low Alarms	Fully adjustable
Power Plug / Power Cord Length	NEMA 5-15 hospital grade plug (115V) NEMA 6-15 hospital grade plug (208/230V 60Hz) CEE 7/7 plug (230V 50Hz) 8-10 ft (2439-3048 mm)	Door Ajar Alarm	Yes
Certification / Agency Listing	QPS (Certified to UL and CSA Standards)	Power Failure Alarm	Yes
Indoor/Outdoor Use	Indoor use only	Min/Max Display and Reset	Yes
Application Environment	Non-corrosive, non-flammable, non-explosive, 15°C to 32°C (59°F to 90°F)	Battery Back-up	9-volt non-rechargeable
Refrigeration System		Dimensions and Construction	
Refrigeration System	Forced-air circulation	Interior (w x h x d)	24.75 x 58.25 x 24.25 in 629 x 1480 x 616 mm
Compressor / Number	1.25 HP hermetic / 1	Exterior (w x h x d)	29.5 x 80 x 29.5 in 750 x 2032 x 750 mm
Condenser Type / Number	Air-cooled fin and tube / 1	Overall Exterior (w x h x d) (Includes door handle, electrical panel, and evaporation tray)	30.75 x 80 x 32.5 in 782 x 2032 x 826 mm
Expansion Device	TXV valve	Insulation	Minimum of 2" (51mm) non-CFC foamed urethane insulation
Evaporator Type	Air-cooled fin and tube	Exterior / Interior Finish	Bacteria-resistant powder coating
Defrost Method	Automatic, programmable	Doors	1, Solid
Refrigerant Charge	R404A Non-CFC	Access Ports	Top for external monitoring probe(s)
Performance Data		Perimeter Heater	Mullion Electric Heater
Uniformity	+/-2°C at -30°C Setpoint	Interior Storage / Capacity	4 epoxy coated shelves 22 x 23 in (559 x 585 mm) 100 lb (46 kg) max capacity / shelf
Warranty		Casters	Standard / swivel locking
Standard (US/Canada)	3 years compressor, 2 years parts, 1 year labor	Integrated Access Control	Optional - Electromagnetic lock via digital keypad
Outside US/Canada	Consult your local representative	Net Weight	440 lb (200 kg)
		Shipping Weight	533 lb (242 kg)
		Clearance Requirements	Minimum of 8" (203mm) above and 3" (76mm) behind unit.
		Options / Accessories	Chart Recorder, Floor & Wall Bracket Kit, Remote Alarms, Leveling Feet, Stainless Steel Interior, Remote Lock Adapter Kit, Extended Warranty



# Technical Data Sheet

## Laboratory Freezer

Horizon Series™ HLF120



Helmer Scientific | 14400 Bergen Boulevard | Noblesville, IN 46060 | USA  
 +1.317.773.9073 | [www.helmerinc.com](http://www.helmerinc.com)

