

## Model

### Horizon Series™ HLF105 Undercounter Laboratory Freezer

## Specifications

#### Application, Rating and Electrical Data

Application	Storage of medical and scientific products
Storage Volume	5 cu ft (142 L)
Temperature Range	-15° to -30°C
Electrical Power	115V 60Hz 230V 50Hz 230V 60Hz
Maximum Current	5.75 FLA / 2.9 FLA / 3.1 FLA
Building Supply Rating	15 amp dedicated ground circuit
Power Plug / Power Cord Length	NEMA 5-15 hospital grade plug (115V) CEE 7/7 plug (230V 50Hz) NEMA 6-15 hospital grade plug (230V 60Hz) 8-10 ft (2439-3048 mm)
Certification / Agency Listing	QPS (Certified to UL and CSA Standards)
Indoor/Outdoor Use	Indoor use only
Application Environment	Non-corrosive, non-flammable, non-explosive, 15°C to 32°C (59°F to 90°F)

#### Refrigeration System

Refrigeration System	Forced-air circulation
Compressor / Number	.33 HP hermetic / 115V, 230V 60Hz 0.5 HP 230V 50Hz
Condenser Type / Number	Air-cooled fin and tube / 1
Expansion Device	TXV valve
Evaporator Type	Air-cooled fin and tube
Defrost Method	Automatic, programmable
Refrigerant Charge	R404A Non-CFC

#### Performance Data

Uniformity	+/-2°C at -30°C Setpoint
------------	--------------------------

#### Warranty

Standard (US/Canada)	3 years compressor, 2 years parts, 1 year labor
Outside US/Canada	Consult your local representative

#### Controller

Interface	LED digital display, °C or °F
Power Switch	On/Off - All Circuit breaker - 230V only
Controller Type	Microprocessor-based controller with alarm/ monitor
Security	Lockable door, optional keypad access
Control Sensor	RTD
High / Low Alarms	Fully adjustable
Door Ajar Alarm	Yes
Power Failure Alarm	Yes
Min/Max Display and Reset	Yes
Battery Back-up	9-volt non-rechargeable

#### Dimensions and Construction

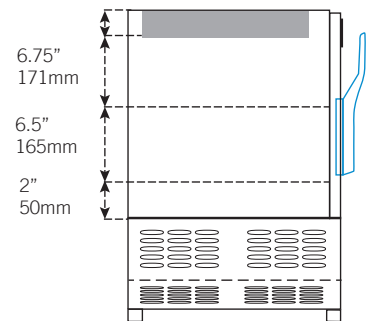
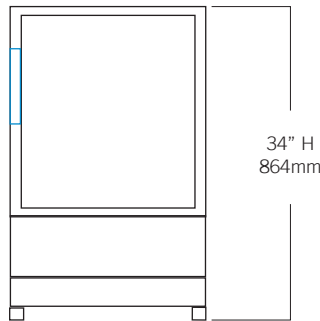
Interior (w x h x d)	19.5 x 19.75 x 22 in 496 x 502 x 559 mm
Exterior (w x h x d) (Includes leveling feet)	24 x 34 x 26.75 in 610 x 864 x 680 mm
Overall Exterior (w x h x d) (Includes door handle and leveling feet)	24 x 34 x 28.5 in 610 x 864 x 724 mm
Insulation	Sustainable, U.S. EPA and SNAP approved Ecomate®
Exterior / Interior Finish	Bacteria-resistant powder coating
Doors	1, Solid
Access Ports	Rear access port
Perimeter Heater	Mullion Electric Heater
Interior Storage / Capacity	2 epoxy coated shelves 18 x 18 in (458 x 458 mm) 100 lb (46 kg) max capacity / shelf
Leveling Feet	Standard
Casters	Optional / swivel locking
Integrated Access Control	Optional - Electromagnetic lock via digital keypad
Net Weight	209 lb (95 kg)
Shipping Weight	275 lb (125 kg)
Clearance Requirements	Minimum of 3" (76mm) behind unit for clearance and feature access.
Options / Accessories	Chart Recorder, Stacking Kit, Floor & Wall Bracket Kit, Remote Alarms, Casters, Stainless Steel Interior and Exterior, Remote Lock Adapter Kit, Extended Warranty



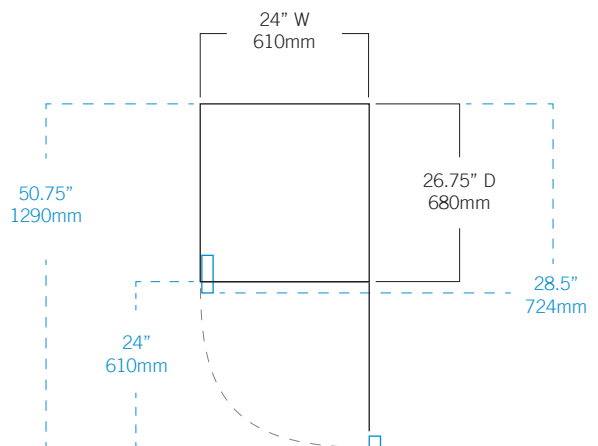
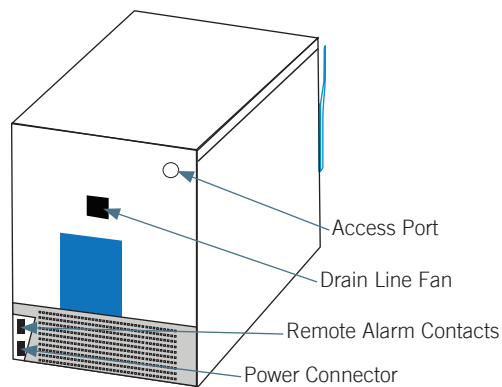
# Technical Data Sheet

## Laboratory Freezer

Horizon Series™ HLF105



Note: Height with optional casters  
35.5 in (902 mm)



Helmer Scientific | 14400 Bergen Boulevard | Noblesville, IN 46060 | USA  
+1.317.773.9073 | [www.helmerinc.com](http://www.helmerinc.com)



© 2015-2017 Helmer Inc. All rights reserved. 380347-1/F 5/17  
All trademarks are the property of Helmer Scientific. Specifications subject to change.