

Model

Horizon Series™ HLF104-ADA Undercounter Laboratory Freezer

Specifications

Application, Rating and Electrical Data

| | |
|--------------------------------|---|
| Application | Storage of medical and scientific products |
| Storage Volume | 4 cu ft (113 L) |
| Temperature Range | -15° to -30°C |
| Electrical Power | 115V 60Hz |
| Maximum Current | 5.75 FLA |
| Building Supply Rating | 15 amp dedicated ground circuit |
| Power Plug / Power Cord Length | NEMA 5-15 hospital grade plug (115V) 8-10 ft (2439-3048 mm) |
| Certification / Agency Listing | QPS (Certified to UL and CSA Standards) |
| Indoor/Outdoor Use | Indoor use only |
| Application Environment | Non-corrosive, non-flammable, non-explosive, 15°C to 32°C (59°F to 90°F) |

Refrigeration System

| | |
|-------------------------|-----------------------------|
| Refrigeration System | Forced-air circulation |
| Compressor / Number | .33 HP hermetic / 1 |
| Condenser Type / Number | Air-cooled fin and tube / 1 |
| Expansion Device | TXV valve |
| Evaporator Type | Air-cooled fin and tube |
| Defrost Method | Automatic, programmable |
| Refrigerant Charge | R404A Non-CFC |

Performance Data

| | |
|------------|--------------------------|
| Uniformity | +/-2°C at -30°C Setpoint |
|------------|--------------------------|

Warranty

| | |
|----------------------|---|
| Standard (US/Canada) | 3 years compressor, 2 years parts, 1 year labor |
| Outside US/Canada | Consult your local representative |

Controller

| | |
|---------------------------|--|
| Interface | LED digital display, °C or °F |
| Power Switch | On/Off |
| Controller Type | Microprocessor-based controller with alarm/ monitor |
| Security | Lockable door, optional keypad access |
| Control Sensor | RTD |
| High / Low Alarms | Fully adjustable |
| Door Ajar Alarm | Yes |
| Power Failure Alarm | Yes |
| Min/Max Display and Reset | Yes |
| Battery Back-up | 9-volt non-rechargeable |

Dimensions and Construction

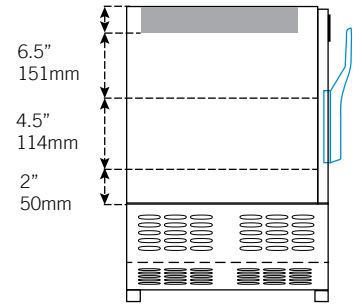
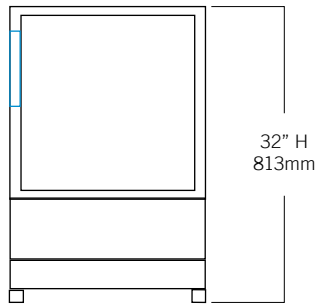
| | |
|--|--|
| Interior (w x h x d) | 19.5 x 17.75 x 22 in 496 x 451 x 559 mm |
| Exterior (w x h x d) (Includes leveling feet) | 24 x 32 x 26.75 in 610 x 813 x 680 mm |
| Overall Exterior (w x h x d) (Includes door handle and leveling feet) | 24 x 32 x 28.5 in 610 x 813 x 724 mm |
| ADA Compatible | Fits under 34" (864 mm) ADA compliant counters |
| Insulation | Sustainable, U.S. EPA and SNAP approved Ecomate® |
| Exterior / Interior Finish | Bacteria-resistant powder coating |
| Doors | 1, Solid |
| Access Ports | Rear access port |
| Perimeter Heater | Mullion Electric Heater |
| Interior Storage / Capacity | 2 epoxy coated shelves 18 x 18 in (458 x 458 mm) 100 lb (46 kg) max capacity / shelf |
| Leveling Feet | Standard |
| Casters | Optional / swivel locking |
| Integrated Access Control | Optional - Electromagnetic lock via digital keypad |
| Net Weight | 205 lb (93 kg) |
| Shipping Weight | 271 lb (123 kg) |
| Clearance Requirements | Minimum of 3" (76mm) behind unit for clearance and feature access. |
| Options / Accessories | Chart Recorder, Stacking Kit, Floor & Wall Bracket Kit, Remote Alarms, Casters, Stainless Steel Interior and Exterior, Remote Lock Adapter Kit, Extended Warranty |



Technical Data Sheet

Laboratory Freezer

Horizon Series™ HLF104-ADA



Note: Height with optional casters
33.5 in (851 mm)

