

Model

i.Series® iLF105 Undercounter Laboratory Freezer

Specifications

Application, Rating and Electrical Data

Application	Storage of medical and scientific products
Storage Volume	5 cu ft (142 L)
Temperature Range	-15° to -30°C
Electrical Power	115V 60Hz 230V 50Hz 230V 60Hz
Maximum Current	5.75 FLA / 2.9 FLA / 3.1 FLA
Building Supply Rating	15 amp dedicated ground circuit
Power Plug / Power Cord Length	NEMA 5-15 hospital grade plug (115V) CEE 7/7 plug (230V 50Hz) NEMA 6-15 hospital grade plug (230V 60Hz) 8-10 ft (2439-3048 mm)
Certification / Agency Listing	QPS (Certified to UL and CSA Standards)
Indoor/Outdoor Use	Indoor use only
Application Environment	Non-corrosive, non-flammable, non-explosive, 15°C to 32°C (59°F to 90°F)

Refrigeration System

Refrigeration System	Forced-air circulation
Compressor / Number	.33 HP hermetic / 115V, 230V 60Hz 0.5 HP 230V 50Hz
Condenser Type / Number	Air-cooled fin and tube / 1
Expansion Device	TXV valve
Evaporator Type	Air-cooled fin and tube
Defrost Method	Automatic, programmable
Refrigerant Charge	R404A Non-CFC

Performance Data

Uniformity	+/-2°C at -30°C Setpoint
------------	--------------------------

Warranty

Rel.i™ (US/Canada)	5 year compressor, 2 years parts, 1 year labor
Outside US/Canada	Consult your local representative

Controller

Interface	i.C³® color touchscreen
Power Switch	On/Off - All Circuit breaker - 230V only
Controller Type	Microprocessor with touchscreen input and display. Includes USB port for data retrieval.
Security	Lockable door, password protected settings, optional PIN access
Control Sensor	RTD
Communication Ports	(2) USB Ports (1) RJ45 Hub (1) RS232 Port (optional)
High / Low Alarms	Fully adjustable
High / Low Alarm Test	Automatic (Peltier)
Door Ajar Alarm	Fully adjustable
Power Failure Alarm	Yes
Condenser Temperature Alarm	Fully adjustable
Event Log	All alarms, door openings, download via USB
Temperature Log	60 days, download via USB
Access Log	60 days, download via USB
Interactive Temperature Graph	Yes
Battery Back-up	20 hour display and alarm battery back-up for i.C³® touchscreen (rechargeable 12V, lead acid battery)

Dimensions and Construction

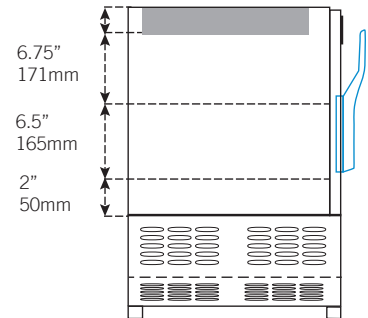
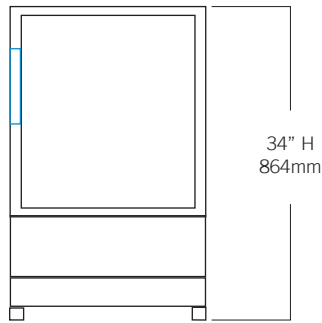
Interior (w x h x d)	19.5 x 19.75 x 22 in 496 x 502 x 559 mm
Exterior (w x h x d) (Includes leveling feet)	24 x 34 x 26.75 in 610 x 864 x 680 mm
Overall Exterior (w x h x d) (Includes door handle and leveling feet)	24 x 34 x 28.5 in 610 x 864 x 724 mm
Insulation	Sustainable, U.S. EPA and SNAP approved Ecomate®
Exterior / Interior Finish	Bacteria-resistant powder coating
Doors	1, Solid
Access Ports	Rear access port
Perimeter Heater	Mullion Electric Heater
Interior Storage / Capacity	2 epoxy coated shelves 18 x 18 in (458 x 458 mm) 100 lb (46 kg) max capacity / shelf
Leveling Feet	Standard
Casters	Optional / swivel locking
Integrated Access Control	Optional - Electromagnetic lock via i.C³ User Interface PIN
Net Weight	215 lb (98 kg)
Shipping Weight	275 lb (125 kg)
Clearance Requirements	Minimum of 3" (76mm) behind unit for clearance and feature access.
Options / Accessories	Chart Recorder, Stacking Kit, Floor & Wall Bracket Kit, Remote Alarms, Casters, Stainless Steel Interior and Exterior, Remote Lock Adapter Kit, Extended Warranty



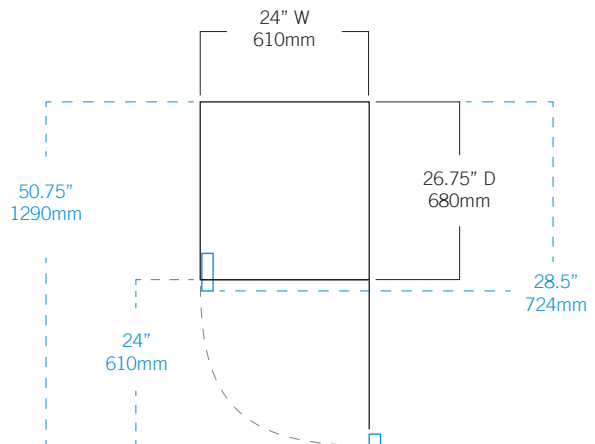
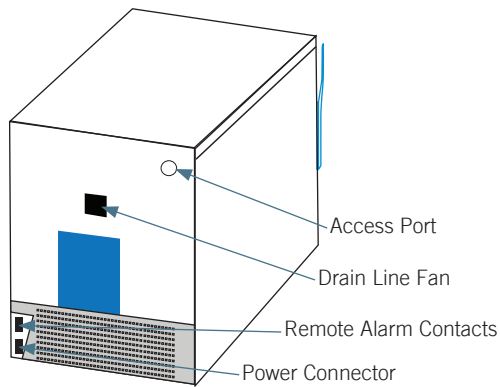
Technical Data Sheet

Laboratory Freezer

i.Series® iLF105



Note: Height with optional casters
35.5 in (915 mm)



Helmer Scientific | 14400 Bergen Boulevard | Noblesville, IN 46060 | USA
+1.317.773.9073 | www.helmerinc.com



© 2015-2017 Helmer Inc. All rights reserved. 380343-1/D 5/17
All trademarks are the property of Helmer Scientific. Specifications subject to change.