

BloodTrack® HaemoBank™

Technical Data Sheet

The HaemoBank device with 20 secure access compartments with visual indicators is available with a wall mounted or standalone kiosk and printer. It can also be ordered separately to work with your existing BloodTrack kiosk and printer. A floor/wall mounting bracket kit can also be ordered separately if needed.

Specifications



Application and Electrical Data

Application	Storage of blood products and other medical and scientific products.
Temperature Range	2 °C to 10 °C (36 °F to 50 °F) @ 15 °C to 32 °C ambient
Default Set Point	4 °C (39 °F)
Input Voltage and Frequency	115 V (60 Hz); 230 V (50 Hz); 230 V (60 Hz)
Voltage Tolerance	±10%
Circuit Breakers	Main Unit = 7 A (quantity 2)
Power Source	Grounded outlet, meeting national electric code (NEC) in the U.S. and local electrical requirements in all locations.
Sound Pressure Level (dBA)	<70 dBA
Indoor/Outdoor Use	Indoor use only

Refrigeration System

Refrigeration System	Forced air circulation
Nominal Compressor Capacity	150 Watts (ASHRAE LBP)
Refrigerant	R-134A (non-CFC)
Initial Charge	7.5 oz. (212.62 g)

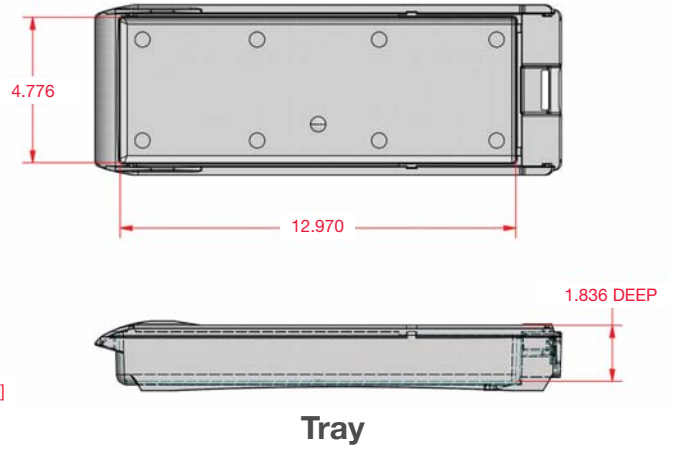
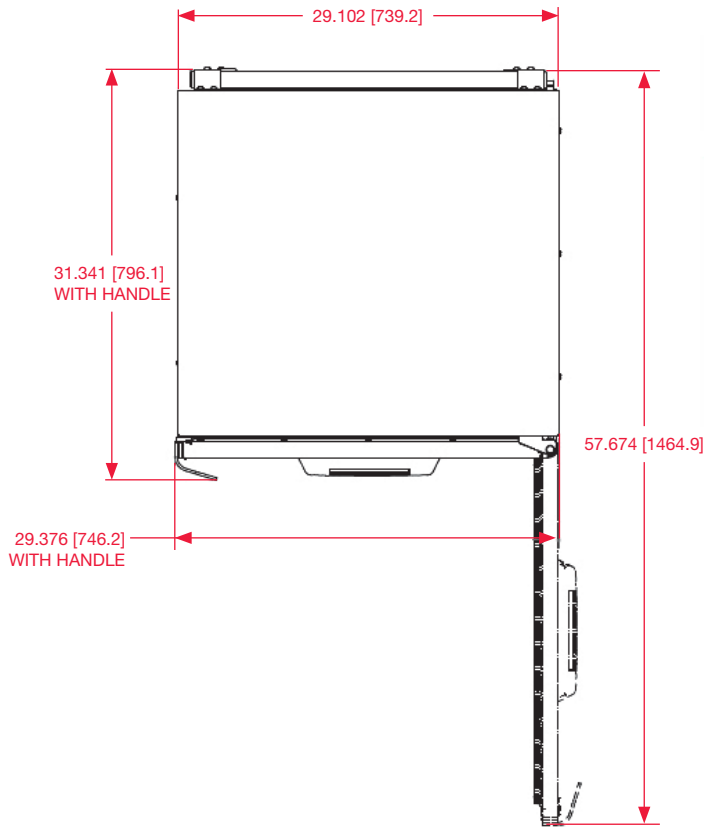
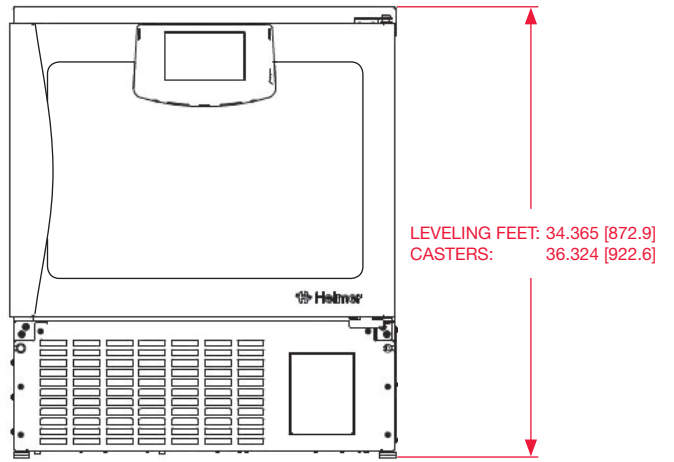
Controller

Interface	i.C ³ , 7" color LCD touchscreen
Controller Type	Microprocessor with touchscreen input and display. Includes USB hub for data retrieval.
Communication Ports	(1) USB Port (side of door-mounted user interface) (1) USB Port (lower left rear of unit) (1) Ethernet Port (lower left rear of unit)
Alarms	High, low, air and compressor temperature; door open; AC power failure; low battery; no battery; communication failure
Remote Alarm Interface	Dry contacts (standard)
Remote Alarm Capacity	0.5 A at 30 V (RMS); 1.0 A at 60 V (DC)
Event Log	All alarms, door openings, download via USB
Temperature Log	60 days, download via USB Resettable Min/Max temperature
Access Log	60 days, download via USB
Battery Back-up	12 V, 7 Ah rechargeable sealed lead acid battery (quantity 1)

Dimensions and Construction

Interior (w x h x d) in (mm)	24.88" x 18.27" x 25.96" (632 x 464 x 659)
Exterior (w x h x d) in (mm)	29.1" x 34.37" x 31.34" (739 x 874 x 796)
(Inc. handle, hinges, leveling feet)	Fits through standard 36" (914 mm) doorway
Insulation	High-density, non-CFC foam
Wall Thickness	2" (51 mm)
Door Thickness	1.25" (32 mm)
Internal/External Material	Galvanized steel with bacteria-resistant powder-coated finish
Trays (w x l x d) in (mm)	20 trays; 4.78" x 12.97" x 1.84" (121 x 329 x 47)
Capacity	1 blood bag per tray
External Rear Access Port	1 standard
Net Weight	307 lbs (139 kg)
Shipping Weight	384 lbs (174 kg)
Options / Accessories	Left or right hinged, Temperature Chart Recorder, Temperature Mapping Certificate, Z0199 Certificate of Calibration, Table and Wall Mount Kit, Casters
Location Requirements	Countertop installation: Minimum depth 30" (763 mm); Must safely support minimum 425 lbs (193 kg); Must use Table and Wall Mount Kit Undercounter installation: (w x h) 29.75" x 34.5" (756 mm x 876 mm) NOTE: Add 2" (51 mm) to depth needed for installation if wall outlet is located directly behind the unit.

Specifications



For a list of worldwide office locations and contact information, visit www.haemonetics.com/officelocations

© 2015 Haemonetics Corporation. Haemonetics, Haemonetics The Blood Management Company, BloodTrack, and HaemoBank are trademarks or registered trademarks of Haemonetics Corporation in the USA, other countries, or both. Helmer is a trademark of Helmer, Inc. 10.2015 USA. COL-COPY-000949(AA)