

Model

Horizon Series™ HB104-ADA Undercounter Blood Bank Refrigerator

Specifications

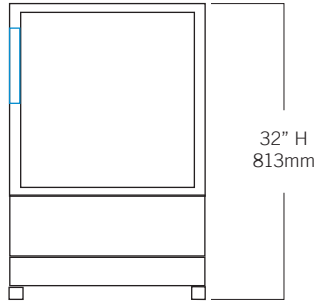
Application, Rating and Electrical Data		Controller	
Application	Storage of blood and other medical and scientific products	Interface	LED digital display, °C or °F
Storage Volume	4 cu ft (113 L)	Power Switch	On/Off
Storage Capacity	66 (450 ml bags)	Controller Type	Microprocessor-based controller with alarm/monitor
Temperature Range	2° to 10°C	Security	Lockable door, optional keypad access
Electrical Power	115V 60Hz	Control Sensor	RTD
Maximum Current	5 FLA	High / Low Alarms	Fully adjustable
Building Supply Rating	15 amp dedicated ground circuit	Door Ajar Alarm	Yes
Power Plug / Power Cord Length	NEMA 5-15 hospital grade plug (115V) 8-10 ft (2439-3048 mm)	Power Failure Alarm	Yes
Certification / Agency Listing	QPS (Certified to UL and CSA Standards)	Min/Max Display and Reset	Yes
Indoor/Outdoor Use	Indoor use only	Battery Back-up	9-volt non-rechargeable
Application Environment	Non-corrosive, non-flammable, non-explosive, 15°C to 32°C (59°F to 90°F)	Dimensions and Construction	
Refrigeration System		Interior (w x h x d)	19.5 x 17.75 x 22 in 496 x 451 x 559 mm
Refrigeration System	Forced-air circulation	Exterior (w x h x d) (Includes leveling feet)	24 x 32 x 26.75 in 610 x 813 x 680 mm
Compressor / Number	.17 HP (115V) hermetic / 1	Overall Exterior (w x h x d) (Includes door handle and leveling feet)	24 x 32 x 28 in 610 x 813 x 712 mm
Condenser Type / Number	Air-cooled fin and tube / 1	ADA Compatible	Fits under 34" (864 mm) ADA compliant counters
Expansion Device	Cap tube	Insulation	Sustainable, U.S. EPA and SNAP approved Ecomate®
Evaporator Type	Air-cooled fin and tube	Exterior / Interior Finish	Bacteria-resistant powder coating
Defrost Method	Automatic	Doors	1, Solid
Refrigerant Charge	R134A Non-CFC	Access Ports	Rear access port
Performance Data		Interior Storage / Capacity	2 stainless steel drawers 16.75 x 17 in (426 x 432 mm) 100 lb (46 kg) max capacity / drawer
Uniformity	+/-1°C at 4°C Setpoint	Chart Recorder	Yes
Warranty		Leveling Feet	Standard
Rel.i™ (US/Canada)	5 years compressor, 2 years parts, 1 year labor	Casters	Optional / swivel locking
Outside US/Canada	Consult your local representative	Integrated Access Control	Optional - Electromagnetic lock via digital keypad
		Net Weight	190 lb (87 kg)
		Shipping Weight	255 lb (116 kg)
		Clearance Requirements	Minimum of 3" (76mm) behind unit for clearance and feature access.
		Options / Accessories	Stacking Kit, Floor & Wall Bracket Kit, Remote Alarms, Interior Light, Glass Door, Casters, Stainless Steel Interior and Exterior, Remote Lock Adapter Kit, Extended Warranty



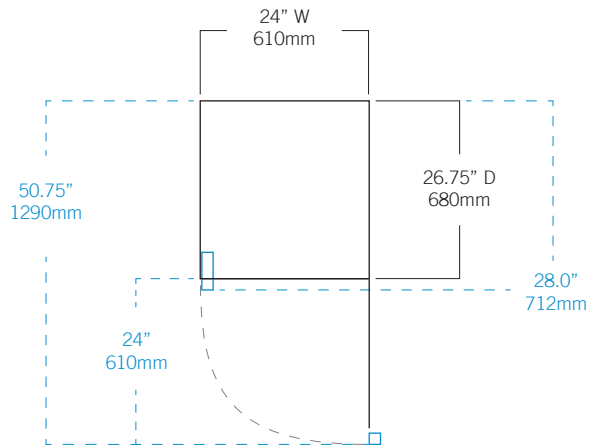
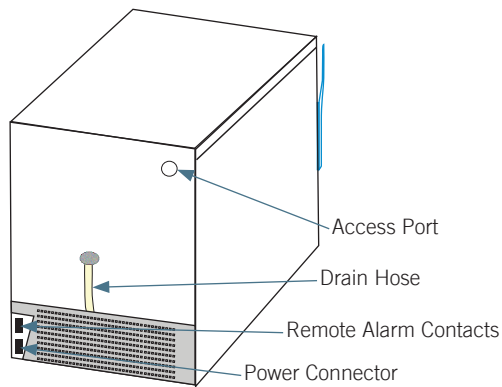
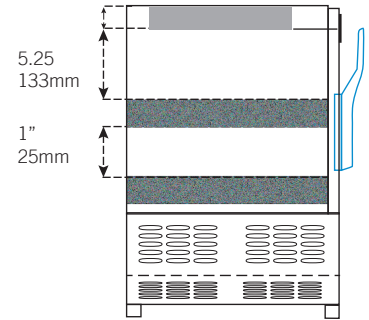
Technical Data Sheet

Blood Bank Refrigerator

Horizon Series™ HB104-ADA



NOTE: Height with optional casters
33.5 in (851 mm)



Helmer Scientific | 14400 Bergen Boulevard | Noblesville, IN 46060 | USA
+1.317.773.9073 | www.helmerinc.com



© 2015 Helmer Inc. All rights reserved. 380303-1/E 7/17
All trademarks are the property of Helmer Scientific. Specifications subject to change.