

Model

i.Series® iB256 Upright Blood Bank Refrigerator

Specifications

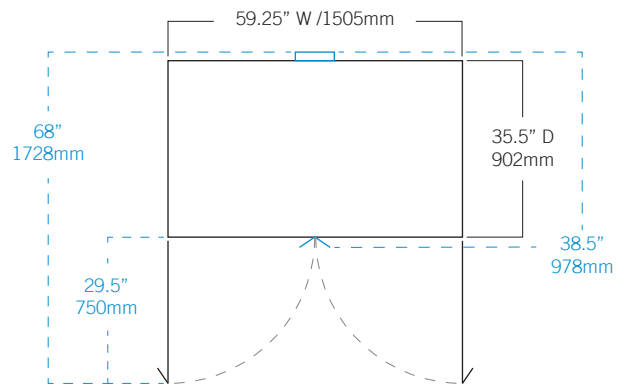
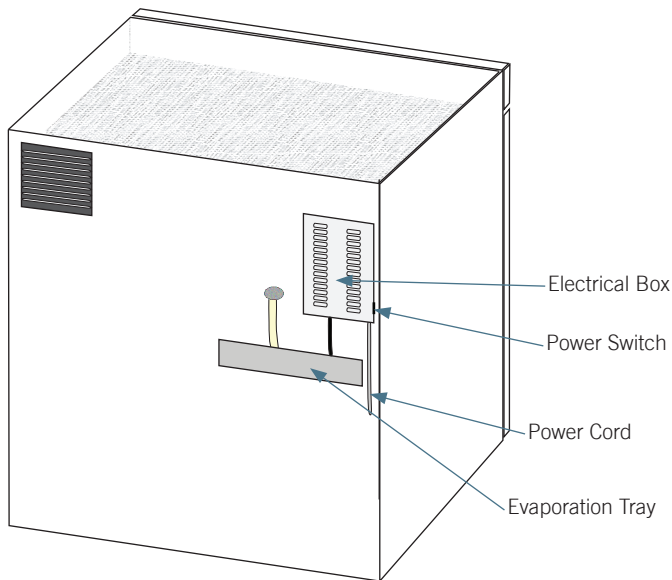
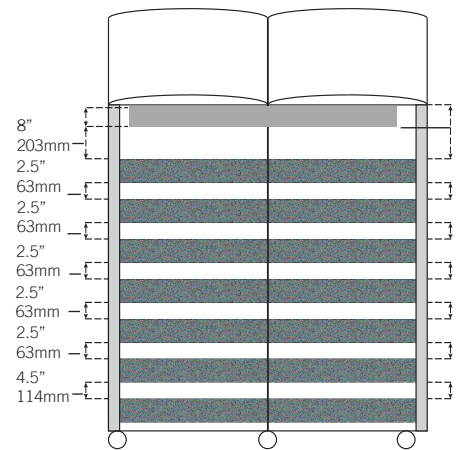
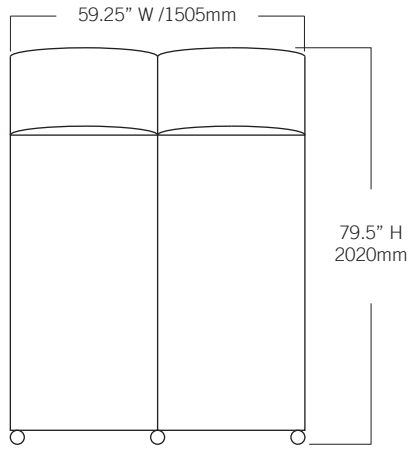
Application, Rating and Electrical Data		Controller	
Application	Storage of blood and other medical and scientific products	Interface	i.C ³ ® eye-level, color touchscreen
Storage Volume	56 cu ft (1586 L)	Power Switch	On/Off - All Circuit breaker - 230V only
Storage Capacity	1008 (450 ml bags)	Controller Type	Microprocessor with touchscreen input and display. Includes USB port for data retrieval.
Temperature Range	2° to 10°C	Security	Lockable door, password protected settings
Electrical Power	115V 60Hz 230V 50Hz 230V 60Hz	Control Sensor	RTD
Maximum Current	11.5 FLA / 6.0 FLA / 6.0 FLA	Communication Ports	(2) USB Ports (1) RJ45 Hub (1) RS232 Port (optional)
Building Supply Rating	15 amp dedicated ground circuit	High / Low Alarms	Fully adjustable
Power Plug / Power Cord Length	NEMA 5-15 hospital grade plug (115V) CEE 7/7 plug (230V 50Hz) NEMA 6-15 hospital grade plug (230V 60Hz) 8-10 ft (2439-3048 mm)	High / Low Alarm Test	Automatic (Peltier)
Certification / Agency Listing	QPS (Certified to UL and CSA Standards) ENERGY STAR® certified (115V)	Door Ajar Alarm	Fully adjustable
Indoor / Outdoor Use	Indoor use only	Power Failure Alarm	Yes
Application Environment	Non-corrosive, non-flammable, non-explosive, 15°C to 32°C (59°F to 90°F)	Condenser Temperature Alarm	Fully adjustable
Refrigeration System		Event Log	All alarms, door openings, download via USB
Refrigeration System	Forced-air circulation	Temperature Log	60 days, download via USB
Compressor / Number	.5 HP hermetic / 1	Interactive Temperature Graph	Yes
Condenser Type / Number	Air-cooled fin and tube / 1	Min/Max Display and Reset	Yes
Expansion Device	Cap tube	Battery Back-up	20 hour display and alarm battery back-up for i.C ³ ® touchscreen (rechargeable 12V, lead acid battery)
Evaporator Type	Air-cooled fin and tube	Dimensions and Construction	
Defrost Method	Automatic	Interior (w x h x d)	55 x 58.25 x 30.25 in 1397 x 1480 x 769 mm
Refrigerant Charge	R134A Non-CFC	Exterior (w x h x d)	59.25 x 79.5 x 35.5 in 1505 x 2020 x 902 mm
Performance Data		Overall Exterior (w x h x d) (Includes door handles, electrical panel, and evaporation tray)	59.25 x 79.5 x 38.5 in 1505 x 2020 x 978 mm
Uniformity	+/-1°C at 4°C Setpoint	Insulation	Minimum of 2" (51mm) non-CFC foamed urethane insulation
Warranty		Exterior / Interior Finish	Bacteria-resistant powder coating
Rel.i™ Plus (US/Canada)	7 years compressor, 2 years parts, 1 year labor	Doors	2, Dual-pane glass
Outside US/Canada	Consult your local representative	Access Ports	Top for external monitoring probe(s)
		Interior Storage / Capacity	14 stainless steel drawers 22 x 27 in (559 x 686 mm) 100 lb (46 kg) max capacity / drawer
		Lighting	Adjustable LED Auto-on, on/off switch
		Casters	Standard / swivel locking
		Net Weight	890 lb (404 kg)
		Shipping Weight	1010 lb (459 kg)
		Clearance Requirements	Minimum of 8" (203mm) above and 3" (76mm) behind unit.
		Options / Accessories	Floor & Wall Bracket Kit, Remote Alarms, Leveling Feet, Stainless Steel Interior, Extended Warranty



Technical Data Sheet

Blood Bank Refrigerator

i.Series® iB256



Helmer Scientific | 14400 Bergen Boulevard | Noblesville, IN 46060 | USA
 +1.317.773.9073 | www.helmerinc.com



© 2016-2017 Helmer Inc. All rights reserved. 380301-1/E 5/17
 All trademarks are the property of Helmer Scientific. Specifications subject to change.