

Model
 i.Series iB105

Specifications

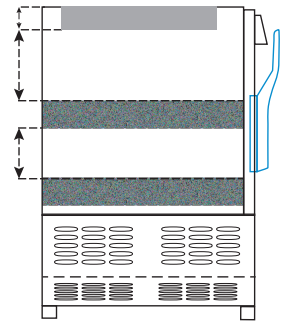
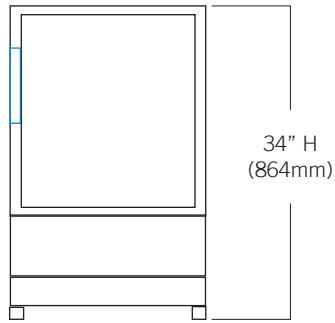
Application, Rating and Electrical Data		Controller	
Application	Storage of blood and other medical and scientific products	Interface	i.C ³ ® color touchscreen
Storage Volume	5 cu ft (142 L)	Power Switch	On/Off - All Circuit breaker - 230V only
Storage Capacity	66 (450 ml bags)	Controller Type	Microprocessor with touchscreen input and display. Includes USB port for data retrieval.
Temperature Range	2° to 10°C	Security	Lockable door, password protected settings, optional PIN access
Electrical Power	115V 60Hz 230V 50Hz 230V 60Hz	Control Sensor	RTD
Maximum Current	5 FLA / 4 FLA / 3.25 FLA	Communication Ports	(2) USB Ports (1) RJ45 Hub (1) RS232 Port (optional)
Building Supply Rating	15 amp dedicated ground circuit	High / Low Alarms	Fully adjustable
Power Plug / Power Cord Length	NEMA 5-15 hospital grade plug (115V) CEE 7/7 plug (230V 50Hz) NEMA 6-15 hospital grade plug (230V 60Hz) 8-10 ft (2439-3048 mm)	High / Low Alarm Test	Automatic (Peltier)
Certification / Agency Listing	QPS (Certified to UL and CSA Standards)	Door Ajar Alarm	Fully adjustable
Indoor/Outdoor Use	Indoor use only	Power Failure Alarm	Yes
Application Environment	Non-corrosive, non-flammable, non-explosive, 15°C to 32°C (59°F to 90°F)	Condenser Temperature Alarm	Fully adjustable
Refrigeration System		Event Log	All alarms, door openings, download via USB
Refrigeration System	Forced-air circulation	Temperature Log	60 days, download via USB
Compressor / Number	.17 HP (115V), .25 HP (230V) hermetic / 1	Access Log	60 days, download via USB
Condenser Type / Number	Air-cooled fin and tube / 1	Interactive Temperature Graph	Yes
Expansion Device	Cap tube	Battery Back-up	20 hour display and alarm battery back-up for i.C ³ ® touchscreen (rechargeable 12V, lead acid battery)
Evaporator Type	Air-cooled fin and tube	Dimensions and Construction	
Defrost Method	Automatic	Interior (w x h x d)	19.5 x 19.75 x 22 in 496 x 502 x 559 mm
Refrigerant Charge	R134A Non-CFC	Exterior (w x h x d) (Includes leveling feet)	24 x 34 x 26.75 in 610 x 864 x 680 mm
Performance Data		Overall Exterior (w x h x d) (Includes door handle and leveling feet)	24 x 34 x 28 in 610 x 864 x 712 mm
Uniformity	+/-1°C at 4°C Setpoint	Insulation	Sustainable, U.S. EPA and SNAP approved Ecomate®
Warranty		Exterior / Interior Finish	Bacteria-resistant powder coating
Rel.i™ Plus	7 years compressor, 2 years parts, 1 year labor	Access Ports	Rear access port
		Interior Storage / Capacity	2 stainless steel drawers 16.75 x 17 in (426 x 432 mm) 100 lb (46 kg) max capacity / drawer
		Chart Recorder	Yes
		Leveling Feet	Standard
		Casters	Optional / swivel locking
		Integrated Access Control	Optional - Electromagnetic lock via i.C ³ User Interface PIN
		Net Weight	202 lb (92 kg)
		Shipping Weight	262 lb (119 kg)
		Clearance Requirements	Minimum of 3" (76mm) behind unit for clearance and feature access.
		Options / Accessories	Stacking Kit, Floor & Wall Bracket Kit, Remote Alarms, Interior Light, Glass Door, Casters, Stainless Steel Interior and Exterior, Remote Lock Adapter Kit, Extended Warranty



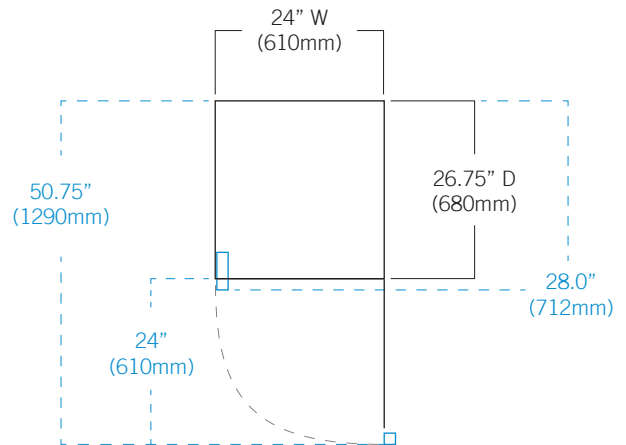
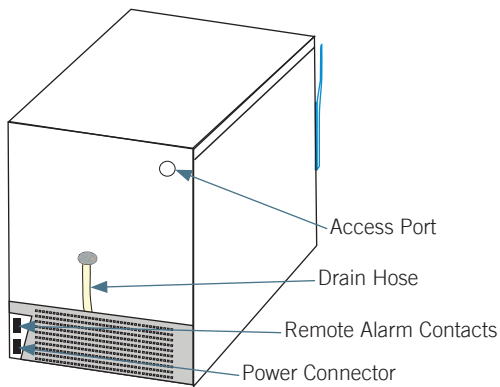
Technical Data Sheet

Blood Bank Refrigerator

i.Series iB105



NOTE: Height with optional casters
35.5 in (915 mm)



Helmer Scientific | 14400 Bergen Boulevard | Noblesville, IN 46060 | USA
+1.317.773.9073 | www.helmerinc.com



© 2015 Helmer Inc. All rights reserved. 380295-1/D 7/17
All trademarks are the property of Helmer Scientific. Specifications subject to change.