

Model

i.Series® iB104-ADA Undercounter Blood Bank Refrigerator

Specifications

Application, Rating and Electrical Data	
Application	Storage of blood and other medical and scientific products
Storage Volume	4 cu ft (113 L)
Storage Capacity	66 (450 ml bags)
Temperature Range	2° to 10°C
Electrical Power	115V 60Hz
Maximum Current	5 FLA
Building Supply Rating	15 amp dedicated ground circuit
Power Plug / Power Cord Length	NEMA 5-15 hospital grade plug (115V) 8-10 ft (2439-3048 mm)
Certification / Agency Listing	QPS (Certified to UL and CSA Standards)
Indoor/Outdoor Use	Indoor use only
Application Environment	Non-corrosive, non-flammable, non-explosive, 15°C to 32°C (59°F to 90°F)
Refrigeration System	
Refrigeration System	Forced-air circulation
Compressor / Number	.17 HP (115V) hermetic / 1
Condenser Type / Number	Air-cooled fin and tube / 1
Expansion Device	Cap tube
Evaporator Type	Air-cooled fin and tube
Defrost Method	Automatic
Refrigerant Charge	R134A Non-CFC
Performance Data	
Uniformity	+/-1°C at 4°C Setpoint
Warranty	
Rel.i™ Plus (US/Canada)	7 years compressor, 2 years parts, 1 year labor
Outside US/Canada	Consult your local representative

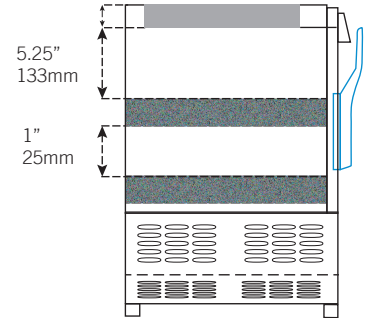
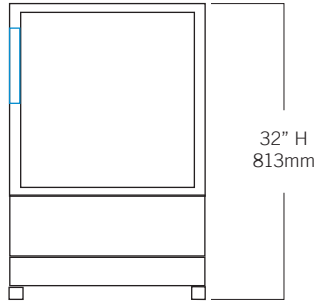
Controller	
Interface	i.C ³ ® color touchscreen
Power Switch	On/Off
Controller Type	Microprocessor with touchscreen input and display. Includes USB port for data retrieval.
Security	Lockable door, password protected settings, optional PIN access
Control Sensor	RTD
Communication Ports	(2) USB Ports (1) RJ45 Hub (1) RS232 Port (optional)
High / Low Alarms	Fully adjustable
High / Low Alarm Test	Automatic (Peltier)
Door Ajar Alarm	Fully adjustable
Power Failure Alarm	Yes
Condenser Temperature Alarm	Fully adjustable
Event Log	All alarms, door openings, download via USB
Temperature Log	60 days, download via USB
Access Log	60 days, download via USB
Interactive Temperature Graph	Yes
Battery Back-up	20 hour display and alarm battery back-up for i.C ³ ® touchscreen (rechargeable 12V, lead acid battery)
Dimensions and Construction	
Interior (w x h x d)	19.5 x 17.75 x 22 in 496 x 451 x 559 mm
Exterior (w x h x d) (Includes leveling feet)	24 x 32 x 26.75 in 610 x 813 x 680 mm
Overall Exterior (w x h x d) (Includes door handle and leveling feet)	24 x 32 x 28 in 610 x 813 x 712 mm
ADA Compatible	Fits under 34" (864 mm) ADA compliant counters
Insulation	Sustainable, U.S. EPA and SNAP approved Ecomate®
Exterior / Interior Finish	Bacteria-resistant powder coating
Doors	1, Solid
Access Ports	Rear access port
Interior Storage / Capacity	2 stainless steel drawers 16.75 x 17 in (426 x 432 mm) 100 lb (46 kg) max capacity / drawer
Chart Recorder	Yes
Leveling Feet	Standard
Casters	Optional / swivel locking
Integrated Access Control	Optional - Electromagnetic lock via i.C ³ User Interface PIN
Net Weight	196 lb (89 kg)
Shipping Weight	255 lb (116 kg)
Clearance Requirements	Minimum of 3" (76mm) behind unit for clearance and feature access.
Options / Accessories	Stacking Kit, Floor & Wall Bracket Kit, Remote Alarms, Interior Light, Glass Door, Casters, Stainless Steel Interior and Exterior, Remote Lock Adapter Kit, Extended Warranty



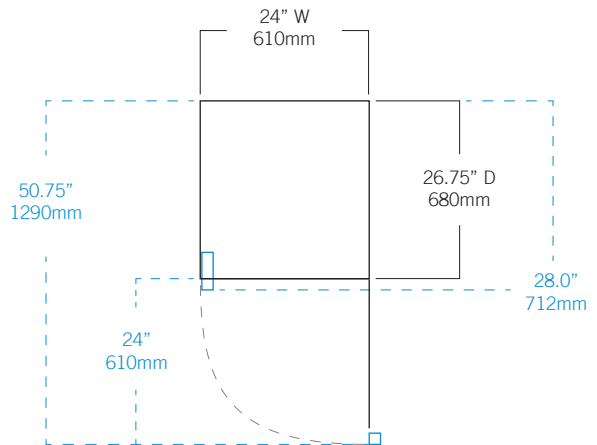
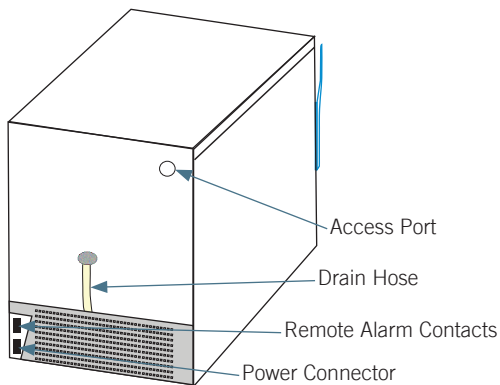
Technical Data Sheet

Blood Bank Refrigerator

i.Series® iB104-ADA



NOTE: Height with optional casters
33.5 in (851 mm)



Helmer Scientific | 14400 Bergen Boulevard | Noblesville, IN 46060 | USA
+1.317.773.9073 | www.helmerinc.com



© 2016 Helmer Inc. All rights reserved. 380294-1/D 7/17
All trademarks are the property of Helmer Scientific. Specifications subject to change.